

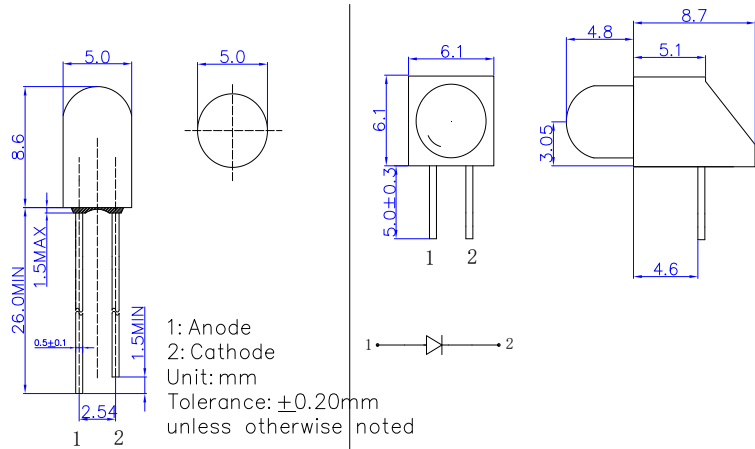
**■Features**

- High Luminous LEDs
- 5mm Round Standard Directivity
- UV Resistant Epoxy
- Color Diffused Type
- Holder Color: Black

**■Applications**

- Indicate Lamp
- Toys/Games/ Audio
- Other Lighting

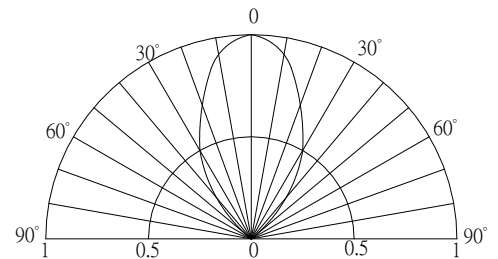
**■Outline Dimension**



**■Absolute Maximum Rating (Ta=25°C)**

Item	Symbol	Value	Unit
DC Forward Current	$I_F$	30	mA
Pulse Forward Current#	$I_{FP}$	100	mA
Reverse Voltage	$V_R$	5	V
Power Dissipation	$P_D$	78	mW
Operating Temperature	$T_{opr}$	-30 ~ +85	°C
Storage Temperature	$T_{stg}$	-40 ~ +100	°C
Lead Soldering Temperature	$T_{sol}$	260°C/5sec	-

**■Directivity**



#Pulse width Max.10ms Duty ratio max 1/10

**■Electrical -Optical Characteristics (Ta=25°C)**

Item	Symbol	Condition	Min.	Typ.	Max.	Unit
DC Forward Voltage*1	$V_F$	$I_F=20\text{mA}$	1.8	2.1	2.6	V
DC Reverse Current	$I_R$	$V_R=5\text{V}$	-	-	10	$\mu\text{A}$
Domi. Wavelength*2	$\lambda_D$	$I_F=20\text{mA}$	565	570	575	nm
Luminous Intensity*3	$I_V$	$I_F=20\text{mA}$	45	68	-	mcd
50% Power Angle	$2\theta_{1/2}$	$I_F=20\text{mA}$	-	60	-	deg

\*1 Tolerance of measurements of forward voltage is  $\pm 0.1\text{V}$

\*2 Tolerance of measurements of dominant wavelength is  $\pm 1\text{nm}$

\*3 Tolerance of measurements of luminous intensity is  $\pm 15\%$

**LED & Application Technologies**

