

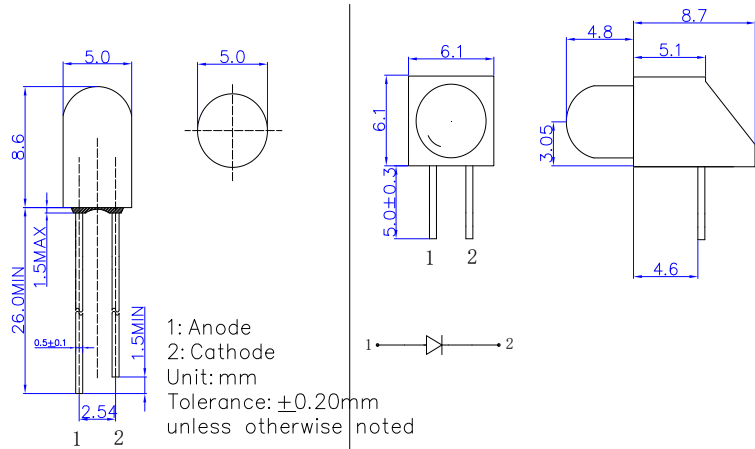
Features

- High Luminous LEDs
- 5mm Round Standard Directivity
- UV Resistant Epoxy
- Color Diffused Type
- Holder Color: Black

Applications

- Indicate Lamp
- Toys/Games/ Audio
- Other Lighting

Outline Dimension

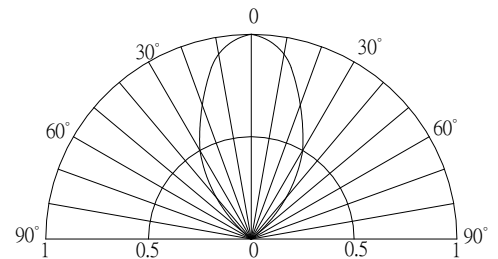


Absolute Maximum Rating (Ta=25°C)

Item	Symbol	Value	Unit
DC Forward Current	I_F	30	mA
Pulse Forward Current#	I_{FP}	100	mA
Reverse Voltage	V_R	5	V
Power Dissipation	P_D	78	mW
Operating Temperature	T_{opr}	-30 ~ +85	°C
Storage Temperature	T_{stg}	-40 ~ +100	°C
Lead Soldering Temperature	T_{sol}	260°C/5sec	-

#Pulse width Max.10ms Duty ratio max 1/10

Directivity



Electrical -Optical Characteristics (Ta=25°C)

Item	Symbol	Condition	Min.	Typ.	Max.	Unit
DC Forward Voltage*1	V_F	$I_F=20\text{mA}$	1.8	2.1	2.6	V
DC Reverse Current*2	I_R	$V_R=5\text{V}$	-	-	10	μA
Domi. Wavelength	λ_D	$I_F=20\text{mA}$	620	625	630	nm
Luminous Intensity*3	I_v	$I_F=20\text{mA}$	100	150	-	mcd
50% Power Angle	$2\theta_{1/2}$	$I_F=20\text{mA}$	-	60	-	deg

*1 Tolerance of measurements of forward voltage is $\pm 0.1\text{V}$

*2 Tolerance of measurements of dominant wavelength is $\pm 1\text{nm}$

*3 Tolerance of measurements of luminous intensity is $\pm 15\%$