

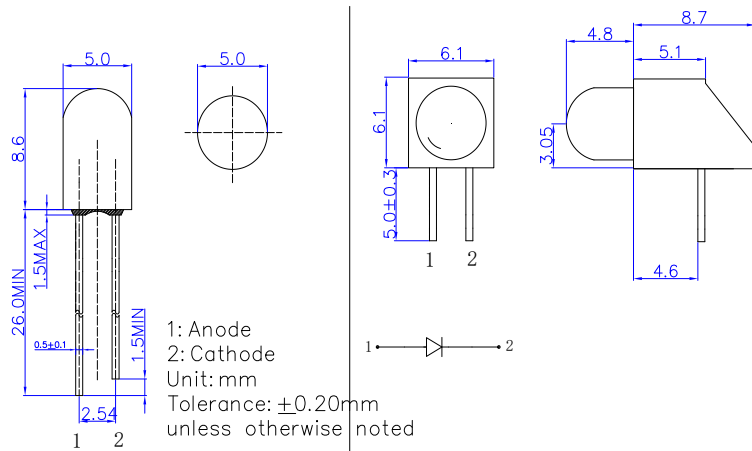
■Features

- High Luminous LEDs
- 5mm Round Standard Directivity
- UV Resistant Epoxy
- Color Diffused Type
- Holder Color: Black

■Applications

- Indicate Lamp
- Toys/Games/ Audio
- Other Lighting

■Outline Dimension

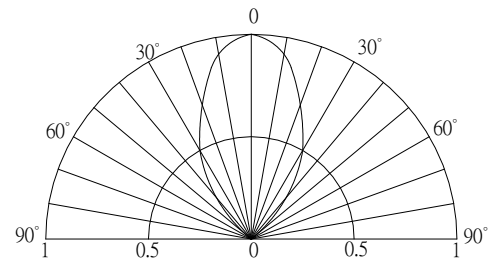


■Absolute Maximum Rating (Ta=25°C)

| Item | Symbol | Value | Unit |
|----------------------------|-----------|------------|------|
| DC Forward Current | I_F | 30 | mA |
| Pulse Forward Current# | I_{FP} | 100 | mA |
| Reverse Voltage | V_R | 5 | V |
| Power Dissipation | P_D | 78 | mW |
| Operating Temperature | T_{opr} | -30~+85 | °C |
| Storage Temperature | T_{stg} | -40 ~ +100 | °C |
| Lead Soldering Temperature | T_{sol} | 260°C/5sec | - |

#Pulse width Max.10ms Duty ratio max 1/10

■Directivity



■Electrical -Optical Characteristics (Ta=25°C)

| Item | Symbol | Condition | Min. | Typ. | Max. | Unit |
|----------------------|-----------------|-------------|------|------|------|---------|
| DC Forward Voltage*1 | V_F | $I_F=20$ mA | - | 2.1 | 2.6 | V |
| DC Reverse Current*2 | I_R | $V_R=5$ V | - | - | 10 | μ A |
| Domi. Wavelength | λ_D | $I_F=20$ mA | 585 | 590 | 595 | nm |
| Luminous Intensity*3 | I_v | $I_F=20$ mA | 100 | 150 | - | mcd |
| 50% Power Angle | $2\theta_{1/2}$ | $I_F=20$ mA | - | 60 | - | deg |

*1 Tolerance of measurements of forward voltage is ± 0.1 V

*2 Tolerance of measurements of dominant wavelength is ± 1 nm

*3 Tolerance of measurements of luminous intensity is $\pm 15\%$