

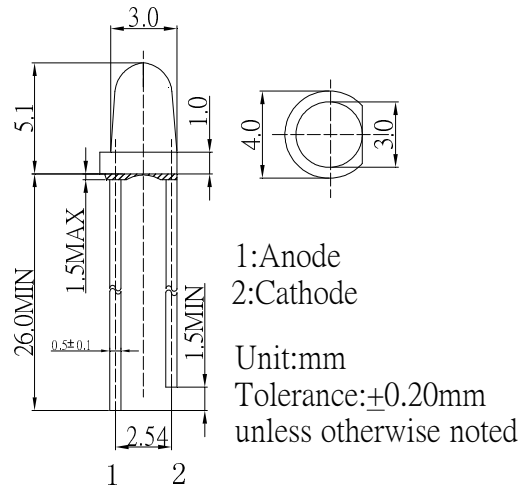
■Features

- High Radiant flux LEDs
- 3mm Bullet Top Standard Directivity
- UV Resistant Epoxy
- Water Clear Type

■Applications

- Counterfeit Detection
- NDT Crack Detection
- Fluid Leak Detection
- Forensic Science/Infection Control
- Other Lighting

■Outline Dimension

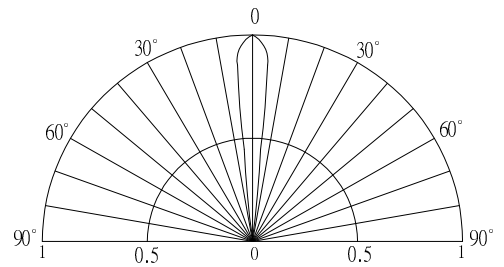


■Absolute Maximum Rating

(Ta=25°C)

Item	Symbol	Value	Unit
DC Forward Current	I _F	30	mA
Pulse Forward Current#	I _{FP}	100	mA
Reverse Voltage	V _R	5	V
Power Dissipation	P _D	114	mW
Operating Temperature	T _{opr}	-30 ~ +85	°C
Storage Temperature	T _{stg}	-40 ~ +100	°C
Lead Soldering Temperature	T _{sol}	260°C/5sec	-

■Directivity



#Pulse width Max.10ms Duty ratio max 1/10

■Electrical -Optical Characteristics

(Ta=25°C)

Part Number	Visual Color	V _F (V)*			I _R (μA)	Radiant flux*(mW)			WP*(nm)			2θ1/2(deg)
		Min.	Typ.	Max.	Max.	Min.	Typ.	Max.	Min.	Typ.	Max.	Typ.
		I _F =20mA			V _R =5V	I _F =20mA						
OSV1YL3211A	White	3.0	3.4	3.8	10	2	4	-	360	365	370	15
OSV2YL3211A	White	3.0	3.4	3.8	10	2.5	4.5	-	370	375	380	15
OSV3SL3211A	Purple	3.0	3.4	3.8	10	8	10	-	380	385	390	15
OSV4DL3211A	Purple	3.0	3.4	3.8	10	12	14	-	390	395	400	15
OSV5DL3211A	Purple	3.0	3.4	3.8	10	12	14	-	400	405	410	15

*1 Tolerance of measurements of Peak wavelength is ±1nm

*2 Tolerance of measurements of Radiant flux is ±15%

*3 Tolerance of measurements of forward voltage is ±0.1V

LED & Application Technologies				
---	---	---	---	---