

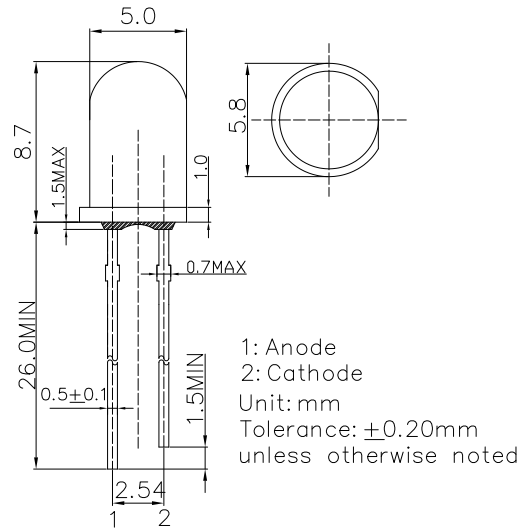
■Features

- High Luminous LEDs
- 5mm Round Standard Directivity
- UV Resistant Epoxy
- Water Clear Type

■Applications

- Electronic Signs And Signals
- Small Area Illuminations
- Back Lighting
- Other Lighting

■Outline Dimension

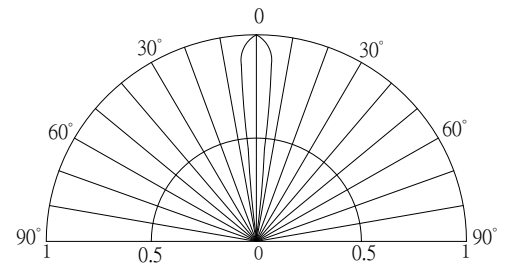


■Absolute Maximum Rating

(Ta=25°C)

Item	Symbol	Value	Unit
DC Forward Current	I_F	30	mA
Pulse Forward Current#	I_{FP}	100	mA
Reverse Voltage	V_R	5	V
Power Dissipation	P_D	102	mW
Operating Temperature	T_{opr}	-30 ~ +85	°C
Storage Temperature	T_{stg}	-40 ~ +100	°C
Lead Soldering Temperature	T_{sol}	260°C/5sec	-

■Directivity



#Pulse width Max.10ms Duty ratio max 1/10

■Electrical -Optical Characteristics

(Ta=25°C)

Item	Symbol	Condition	Min.	Typ.	Max.	Unit
DC Forward Voltage*1	V_F	$I_F=20$ mA	-	2.9	3.4	V
DC Reverse Current	I_R	$V_R=5$ V	-	-	10	μ A
Domi. Wavelength*2	λ_p	$I_F=20$ mA	520	525	530	nm
Luminous Intensity*3	I_v	$I_F=20$ mA	40000	45000	-	mcd
50% Power Angle	$2\theta_{1/2}$	$I_F=20$ mA	-	15	-	deg

*1 Tolerance of measurements of forward voltage is ± 0.1 V

*2 Tolerance of measurements of Domi. wavelength is ± 1 nm

*3 Tolerance of measurements of luminous intensity is $\pm 15\%$

InGaN LED

TYPICAL ELECTRICAL/OPTICAL CHARACTERISTIC CURVES

