

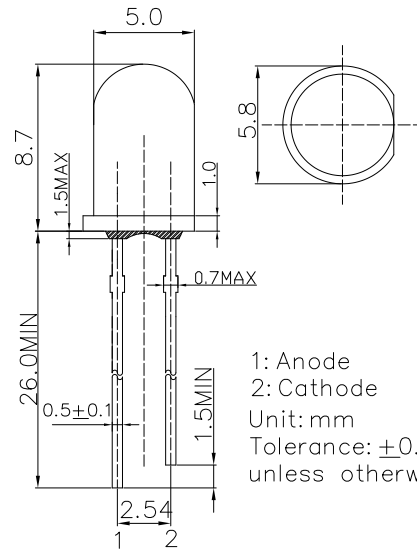
■ Features

- High Luminous LEDs
- 5mm Round Standard Directivity
- UV Resistant Epoxy
- Water Clear Type

■ Applications

- Electronic Signs and Signals
- Small Area Illuminations
- Back Lighting
- Other Lighting

■ Outline Dimension



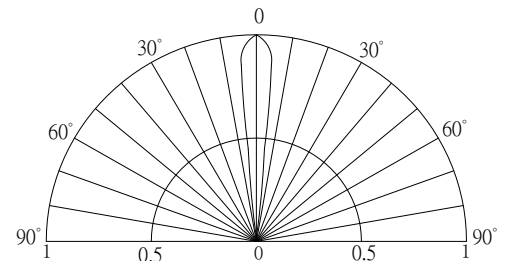
■ Absolute Maximum Rating

($T_a=25^\circ\text{C}$)

Item	Symbol	Value	Unit
DC Forward Current	I_F	50	mA
Pulse Forward Current#	I_{FP}	120	mA
Reverse Voltage	V_R	5	V
Power Dissipation	P_D	170	mW
Operating Temperature	T_{opr}	-30 ~ +85	$^\circ\text{C}$
Storage Temperature	T_{stg}	-40 ~ +100	$^\circ\text{C}$
Lead Soldering Temperature	T_{sol}	260 $^\circ\text{C}/5\text{sec}$	-

#Pulse width Max.10ms Duty ratio max 1/10

■ Directivity



■ Electrical -Optical Characteristics

($T_a=25^\circ\text{C}$)

Item	Symbol	Condition	Min.	Typ.	Max.	Unit
DC Forward Voltage*1	V_F	$I_F=20\text{mA}$	-	2.9	3.4	V
DC Reverse Current	I_R	$V_R=5\text{V}$	-	-	10	μA
Domi. Wavelength*2	λ_p	$I_F=20\text{mA}$	465	470	475	nm
Luminous Intensity*3	I_v	$I_F=20\text{mA}$	14400	20000	-	mcd
50% Power Angle	$2\theta_{1/2}$	$I_F=20\text{mA}$	-	15	-	deg

*1 Tolerance of measurements of forward voltage is $\pm 0.1\text{V}$

*2 Tolerance of measurements of Domi. wavelength is $\pm 1\text{nm}$

*3 Tolerance of measurements of luminous intensity is $\pm 15\%$

InGaN LED

TYPICAL ELECTRICAL/OPTICAL CHARACTERISTIC CURVES

