
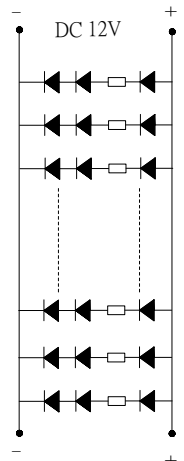
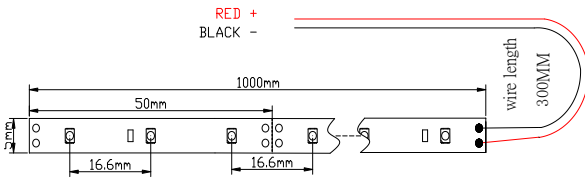


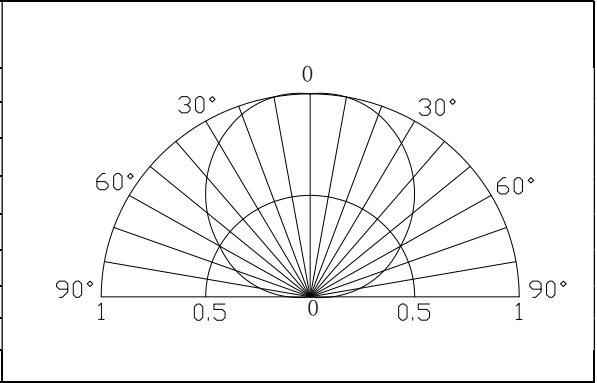
5mm Super Slim LED Light Strip
60 x SMD3528 /Meter
OSW0XX36-5

<p>Descriptions</p> <ul style="list-style-type: none"> ● Low power consumption ● Voltage available in DC12V ● 3528 SMD type ● With a self-adhesive back ● Super slim with 5mm width ● White PCB, IP20 <p>Application</p> <ul style="list-style-type: none"> ● Auto lighting ● Channel letter signs ● Indirect accent decor light ● Large area back lighting ● Under counter light ● Decorate building's contour ● Substitute neon light 	<p>Product Picture</p> 	<p>Circuit Diagram</p> 
<p>Outline Dimension</p> 		

Unit: mm

Typical Performance (Ta=25°C)

Items	Symbol	Min.	Typ.	Max.	Units
LED Module Power	Pm	-	4.8	8.4	W
Input Voltage (DC)	Vi	-	12	14	V
Input Current	If	-	0.4	0.6	A
Beam Pattern	BP	-	120	-	Deg
Operating Temperature	Topr	-30	-	85	°C
Storage Temperature	Tstg	-40	-	100	°C
LED Quantity	QTY	-	60	-	PCS
Strip Width	-	-	5	-	mm
Total Length	Lmod.	-	1000	-	mm



Device Selection Guide

Item No.	Emitting Color	Dom. Wavelength/CCT	Intensity / LED (Typ.)
OSW0R536-5	Red	625±5nm	400 mcd
OSW0Y536-5	Yellow	590±5nm	400 mcd
OSW0G536-5	Pure Green	525±5nm	600 mcd
OSW0B536-5	Blue	470±5nm	300 mcd
OSW0W436-5	Pure White	5500-8000K	1560 mcd
OSW0M536-5	Warm White	2500-3500K	1120 mcd