

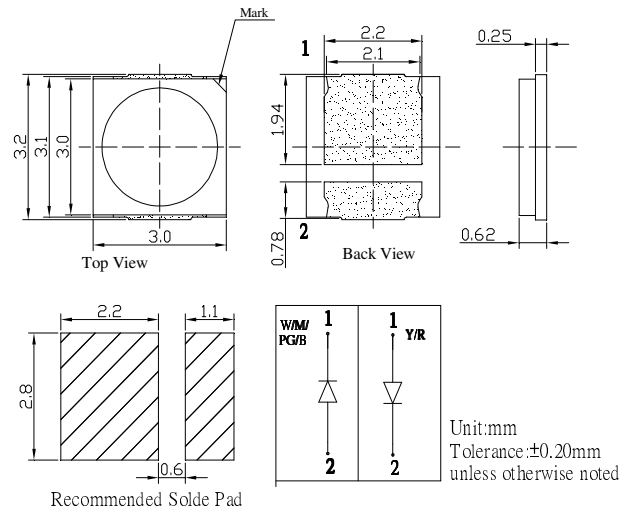
■Features

- Highest luminous flux
- Super energy efficiency
- Long lifetime operation
- Superior UV Resistance

■Applications

- Read lights (car, bus, aircraft)
- Portable (flashlight, bicycle)
- Bollards / Security / Garden
- Traffic signaling / Beacons
- In door / Out door Commercial lights
- Others

■Outline Dimension

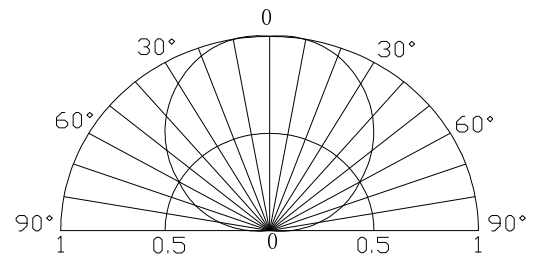


■Absolute Maximum Rating

(Ta=25°C)

Item	Symbol	Value		Unit
		W/M/PG/B	Y/R	
DC Forward Current	I _F	180	180	mA
Pulse Forward Current#	I _{FP}	250	250	mA
Reverse Voltage	V _R	5	5	V
Power Dissipation	P _D	612	468	mW
Operating Temperature	Topr	-30 ~ +85		°C
Storage Temperature	Tstg	-40 ~ +100		°C
Lead Soldering Temperature	Tsol	260°C/10sec		-

■Directivity



#Pulse width Max.10ms Duty ratio max 1/10

■Electrical -Optical Characteristics

(Ta=25°C)

Part Number	Color			V _F (V)			I _R (μA)	Φ _v (lm)*			λ _d (nm)*			2θ1/2(deg)
				Min.	Typ.	Max.		Max.	Min.	Typ.	Max.	Min.	Typ.	
							I _F =150mA			V _R =5V	I _F =150mA			
OSW43030C1H-150mA	White	W		2.8	3.0	3.4	20	45	55	-	CCT:5500~7000K			120
OSW33030C1H-150mA	White	W		2.8	3.0	3.4	20	45	55	-	CCT:4500~5500K			120
OSM53030C1H-150mA	Warm White	M	■	2.8	3.0	3.4	20	45	55	-	CCT:2700~3200K			120
OSB43030C1H-150mA	Blue	B	■	2.8	3.0	3.4	20	4	6	-	455	460	465	120
OSG53030C1H-150mA	Pure Green	PG	■	2.8	3.0	3.4	20	25	30	-	520	525	530	120
OSY53030C1H-150mA	Yellow	Y	■	1.8	2.1	2.6	20	10	15	-	585	590	595	120
OSR53030C1H-150mA	Red	R	■	1.8	2.1	2.6	20	10	15	-	620	625	630	120

*1 Tolerance of measurements of chromaticity coordinate is ±10%

*2 Tolerance of measurements of dominant wavelength is ±1nm

*3 Tolerance of measurements of luminous flux is ±15%

*4 Tolerance of measurements of forward voltage is ±0.1V

*5. Don't drive at rated current more than 5s without heat sink for Power Top H emitter series.