

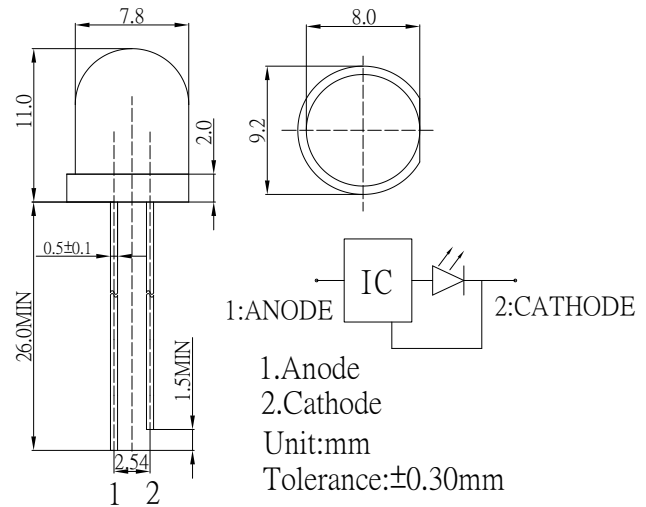
■Features

- High Luminous Intensity
- 8mm Round Standard Directivity
- Flashing Type
- UV Resistance
- Color Diffused / White Diffused (W, M only)

■Applications

- Status indicator
- Signage applications
- Decorative and entertainment lighting
- Other lighting

■Outline Dimension



■Absolute Maximum Rating

(Ta=25°C)

Item	Symbol	Value		Unit
		W/M/B/G/YG/Y/O/R		
Power Supply	Voltage	5		V
Duty Cycle	Duty	1/2		-
Operating Temperature	Topr	-30 ~ +85		°C
Storage Temperature	Tstg	-40~ +100		°C
Lead Soldering Temperature	Tsol	260°C/5sec		-

*Pulse width Max 0.1ms, Duty ratio max 1/10

■Electrical -Optical Characteristics

(Ta=25°C)

Part Number	Color		V _F (V)*			I _v (mcd)*			λ _D (nm)*			Fled (Hz)*	2θ1/2(deg)
			Min.	Typ.	Max.	Min.	Typ.	Max.	Min.	Typ.	Max.	Typ.	Typ
			I _F =20mA			I _F =20mA							
OSW5DS8132A	Cool White	W	3.0	3.5	5.0	1120	1560	-	CCT:8000-18000K			1.8	30
OSM5DS8132A	Warm White	M	3.0	3.5	5.0	1120	1560	-	CCT:2700-3200K				
OSB5SS8134A	Blue	B	3.0	3.5	5.0	330	500	-	465	470	475		
OSG5TS8134A	Pure Green	G	3.0	3.5	5.0	1120	1560	-	520	525	530		
OSG8HS8134A	Yellow Green	YG	3.0	3.5	5.0	100	150	-	565	570	575		
OSY5JS8134A	Yellow	Y	3.0	3.5	5.0	220	330	-	585	590	595		
OSO5JS8134A	Orange	O	3.0	3.5	5.0	220	330	-	600	605	610		
OSR5JS8134A	Red	R	3.0	3.5	5.0	220	330	-	620	625	630		

*1 Tolerance of measurements of chromaticity coordinates is ±10%

*2 Tolerance of measurements of dominant wavelength is ±1nm

*3 Tolerance of measurements of luminous intensity is ±15%

*4 Tolerance of measurements of forward voltage is ±0.1V

*5 Tolerance of measurements of frequency is ±20%