

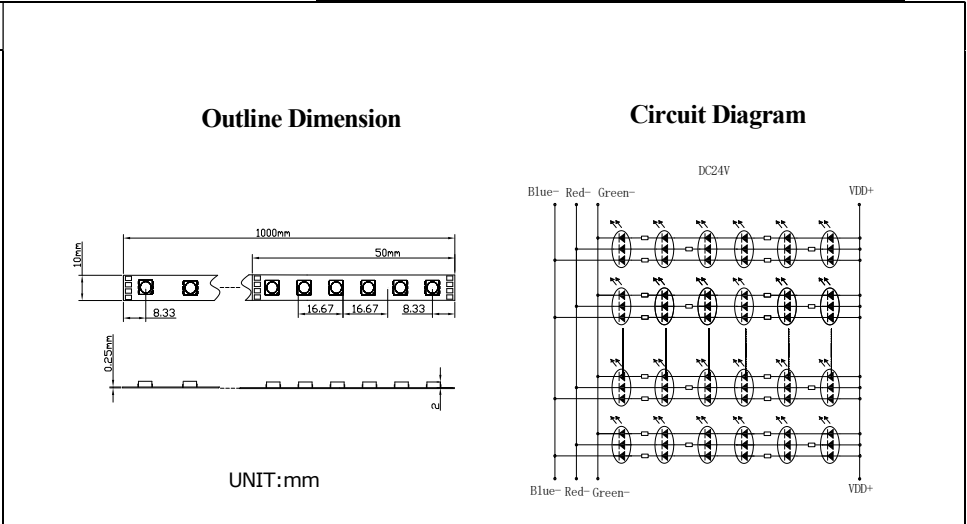
<b>LED Light Strip</b>
<b>60 x SMD5050 /Meter</b>
<b>OS2W0X556-24V</b>

**Descriptions**

- Low power consumption
- Voltage available in DC24V
- LED Type 5050 SMD LED
- With a self-adhesive back
- IP20, White PCB

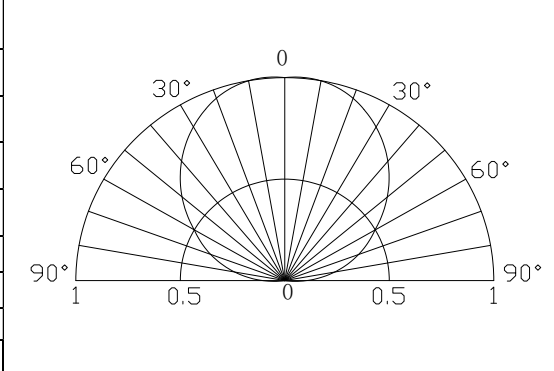
**Application**

- Auto lighting
- Channel letter signs
- Indirect accent decor light
- Large area back lighting
- Under counter light
- Decorate building's contour
- Substitute neon light



**Typical Performance (Ta=25°C)**

Items	Symbol	Min.	Typ.	Max.	Units
LED Module Power	Pm	-	14.4	23.4	w
Input Voltage (DC)	Vi	-	24	26	V
Input Current	If	-	0.6	0.9	A
Beam Pattern	BP	-	120	-	Deg
Operating Temperature	Topr	-30	-	85	°C
Storage Temperature	Tstg	-40	-	100	°C
LED Quantity	QTY	-	60	-	PCS
Total Length	Lmod.	-	1000	-	mm



**Device Selection Guide**

Model No.	Emitting Color	Dom. Wavelength /CCT	Intensity / Per LED (Typ.)
OS2W0R556-24V	Red	625±5nm	1120 mcd
OS2W0O556-24V	Orange	605±5nm	1120 mcd
OS2W0Y556-24V	Yellow	590±5nm	1120 mcd
OS2W0G556-24V	Pure Green	525±5nm	3000 mcd
OS2W0B556-24V	Blue	470±5nm	1560 mcd
OS2W0W556-24V	Cool White	CCT:8500-18000K	7000 mcd
OS2W0W456-24V	Pure White	CCT:5500-8500K	7000 mcd
OS2W0M556-24V	Warm White	CCT:2700-3300K	5000 mcd
OS2W0RGB56-24V	Red	625±5nm	500 mcd
	Pure Green	525±5nm	1120 mcd
	Blue	470±5nm	400 mcd