

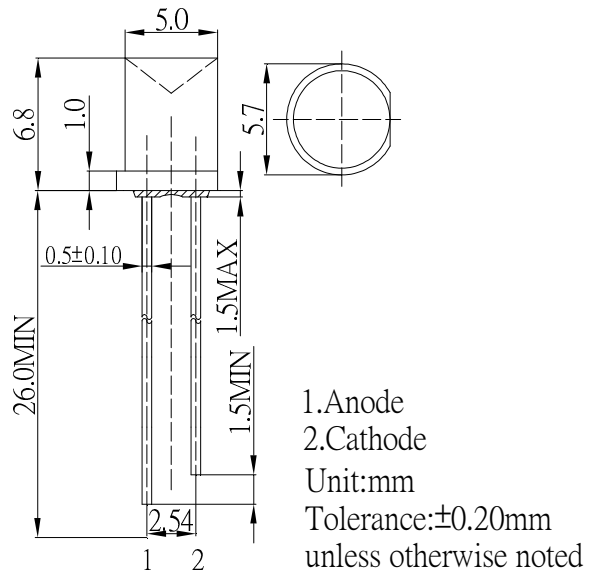
### ■ Features

- High Luminous LEDs
- 5mm Concave Standard Directivity
- UV Resistant Epoxy
- Water Clear Type

### ■ Applications

- Decorating Lighting
- Light String
- Back Lighting
- Other Lighting

### ■ Outline Dimension

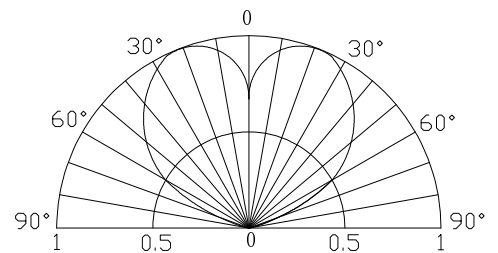


### ■ Absolute Maximum Rating

(Ta=25°C)

| Item                       | Symbol           | Value      |       | Unit |
|----------------------------|------------------|------------|-------|------|
|                            |                  | W/M/BL/PG  | Y/O/R |      |
| DC Forward Current         | I <sub>F</sub>   | 30         | 30    | mA   |
| Pulse Forward Current#     | I <sub>FP</sub>  | 100        | 100   | mA   |
| Reverse Voltage            | V <sub>R</sub>   | 5          | 5     | V    |
| Power Dissipation          | P <sub>D</sub>   | 102        | 78    | mW   |
| Operating Temperature      | T <sub>opr</sub> | -30 ~ +85  |       | °C   |
| Storage Temperature        | T <sub>stg</sub> | -40 ~ +100 |       | °C   |
| Lead Soldering Temperature | T <sub>sol</sub> | 260°C/5sec |       | -    |

### ■ Directivity



#Pulse width Max.10ms Duty ratio max 1/10

### ■ Electrical -Optical Characteristics

(Ta=25°C)

| Part Number | Color      |    | V <sub>F</sub> (V)*  |      |      | I <sub>R</sub> (μA) | I <sub>v</sub> (mcd)* |                      |      | W <sub>d</sub> (nm)*       |      |      | 2θ1/2(deg) |
|-------------|------------|----|----------------------|------|------|---------------------|-----------------------|----------------------|------|----------------------------|------|------|------------|
|             |            |    | Min.                 | Typ. | Max. | Max.                | Min.                  | Typ.                 | Max. | Min.                       | Typ. | Max. | Typ.       |
|             |            |    | I <sub>F</sub> =20mA |      |      | V <sub>R</sub> =5V  |                       | I <sub>F</sub> =20mA |      |                            |      |      |            |
| OSW5DK53C1A | Cool White | W  | -                    | 2.9  | 3.4  | 10                  | 1120                  | 1560                 | -    | 8500-18000K(X:0.27,Y:0.28) |      |      | 120        |
| OSM5DK53C1A | Warm White | M  | -                    | 2.9  | 3.4  | 10                  | 1120                  | 1560                 | -    | 2700-3300K(X:0.44,Y:0.41)  |      |      | 120        |
| OSB5SA53C1A | Blue       | BL | -                    | 2.9  | 3.4  | 10                  | 330                   | 500                  | -    | 465                        | 470  | 475  | 120        |
| OSG5DA53C1A | Pure Green | PG | -                    | 2.9  | 3.4  | 10                  | 1120                  | 1560                 | -    | 520                        | 525  | 530  | 120        |
| OSY5PA53C1A | Yellow     | Y  | -                    | 2.1  | 2.6  | 10                  | 500                   | 750                  | -    | 585                        | 590  | 595  | 120        |
| OSO5PA53C1A | Orange     | O  | -                    | 2.1  | 2.6  | 10                  | 500                   | 750                  | -    | 600                        | 605  | 610  | 120        |
| OSR5PA53C1A | Red        | R  | -                    | 2.1  | 2.6  | 10                  | 500                   | 750                  | -    | 620                        | 625  | 630  | 120        |

\*1 Tolerance of measurements of chromaticity coordinate is ±10%

\*3 Tolerance of measurements of luminous intensity is ±15%

\*2 Tolerance of measurements of dominant wavelength is ±1nm

\*4 Tolerance of measurements of forward voltage is ±0.1V