

**2.3 Inch 16-Segment Single Digit Display**

**OSL12306-16-IRA (Common Anode type)**

**OSL12306-16-LRA (Common Cathode type)**

■ **Features**

- 2.3 Inch 16-Segment Single Digit Display
- Long lifetime operation
- IC compatible
- Low power dissipation
- Black surface & white segment or dot
- Number of pins:19

■ **Applications**

- Counting device
- Clock

■ **Absolute Maximum Rating (Ta=25°C)**

Item	Symbol	Value	Unit
DC Forward Current/Per Segment (A1,A2,D1,D2,G1,G2 & DP)	I <sub>F</sub>	40 (20)	mA
Pulse Forward Current/Per Segment (A1,A2,D1,D2,G1,G2 & DP)#	I <sub>FP</sub>	200(100)	mA
Reverse Voltage/Per Segment or (DP)	V <sub>R</sub>	10(5)	V
Power Dissipation/Per Segment (A1,A2,D1,D2,G1,G2 & DP*)	P <sub>t</sub>	265(133)(67*)	mW
Operating Temperature	Topr	-30 ~ +70	°C
Storage Temperature	Tstg	-40~ +85	°C
Lead Soldering Temperature(1.6mmfrom seating plane)	Tsol	260°C/5sec	°C

#Pulse width Max.10ms Duty ratio max 1/10

■ **Photo**



■ **Electrical -Optical Characteristics (Ta=25°C)**

Part Number	Color		V <sub>F</sub> (V)			I <sub>R</sub> (μA)	I <sub>v</sub> (mcd)			λD(nm)		
			Per Segment or (A1,A2,D1,D2,G1,G2 & DP*)				Per Segment or (Dp)	Per Segment or (A1,A2,D1,D2,G1,G2 & Dp)			Per Segment or (A1,A2,D1,D2,G1,G2 & Dp)	
			Min.	Typ.	Max.	Max.		Min.	Typ.	Max.	Min.	Typ.
			I <sub>F</sub> =40(20)mA			V <sub>R</sub> =10V (V <sub>R</sub> =5V)	I <sub>F</sub> =20(10)mA			I <sub>F</sub> =20(10)mA		
OSL12306-16-IRA	Red	RA	3.6 (1.8)*	4.4 (2.2)*	5.0 (2.5)*	20	-	100	-	630	635	-
OSL12306-16-LRA	Red	RA	3.6 (1.8)*	4.4 (2.2)*	5.0 (2.5)*	20	-	100	-	620	625	-

\*1 Tolerance of measurements of dominant wavelength is±1nm

\*2 Tolerance of measurements of luminous intensity is±15%

\*3 Tolerance of measurements of forward voltage is±0.1V

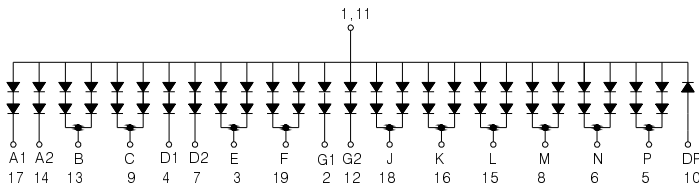
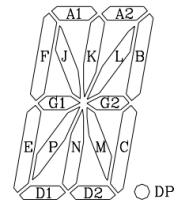
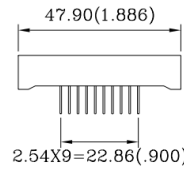
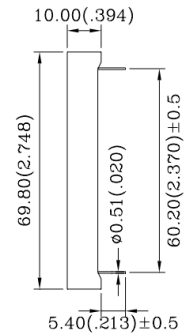
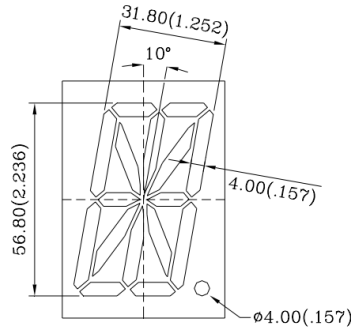
**■ Package Dimensions and Pin Function**

**OSL12306-16-IRA  
(Common Anode type)**

Note:

1, Unit : mm ( Tolerance:  $\pm 0.25$ mm unless otherwise noted)

2, The slope angle of any PIN may be  $\pm 5.0^\circ$  Max



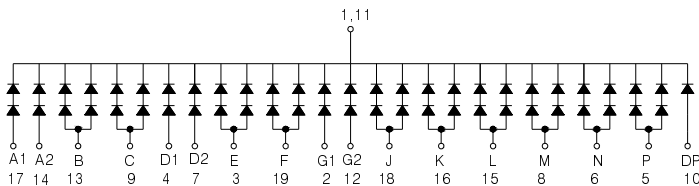
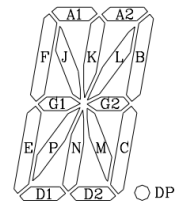
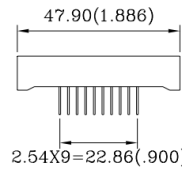
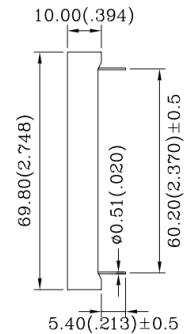
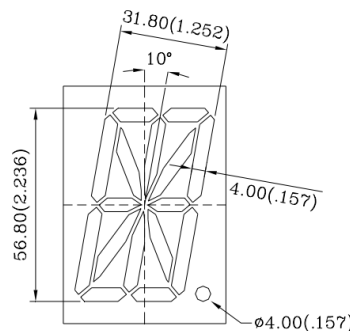
20 NO CONNECT

**OSL12306-16-LRA  
(Common Cathode type)**

Note:

1, Unit : mm ( Tolerance:  $\pm 0.25$ mm unless otherwise noted)

2, The slope angle of any PIN may be  $\pm 5.0^\circ$  Max



20 NO CONNECT