

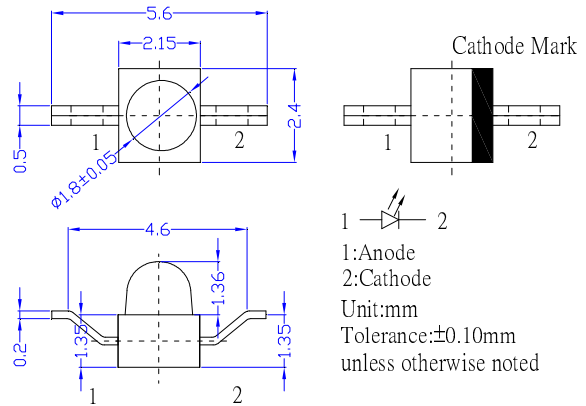
■Features

- Small double-end package
- 1.8mm Standard Directivity
- Good spectral matching to Si photodetector
- Water Clear Type (W: Yellow Diffused)
- MSL 3

■Applications

- Optoelectronic switch
- Floppy disk drive
- Infrared emitting for miniature light barrier
- Smoke detector
- Others

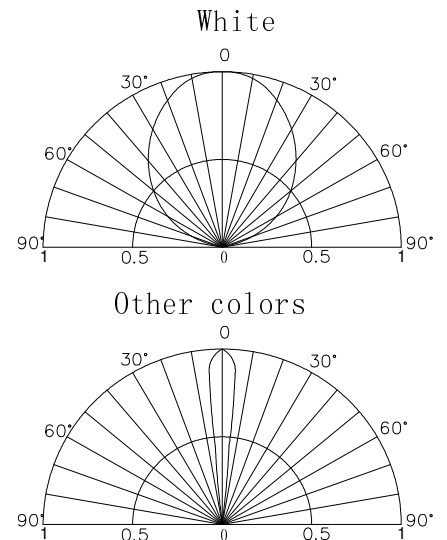
■Outline Dimension



■Absolute Maximum Rating (Ta=25°C)

Item	Symbol	Value		Unit
		W/B/PG	YG/Y/R/O	
DC Forward Current	I _F	30	30	mA
Pulse Forward Current#	I _{FP}	100	100	mA
Reverse Voltage	V _R	5	5	V
Power Dissipation	P _D	108	78	mW
Operating Temperature	Topr	-30 ~ +85		°C
Storage Temperature	Tstg	-40~ +100		°C
Lead Soldering Temperature	Tsol	260°C/10sec		-

■Directivity



#Pulse width Max.10ms Duty ratio max 1/10

■Electrical -Optical Characteristics (Ta=25°C)

Part Number	Color		V _F (V)*			I _R (μA)	I _v (mcd)*			λD(nm)*			2θ1/2(deg)	
			Min.	Typ.	Max.		Max.	Min.	Typ.	Max.	Min.	Typ.		Max.
			I _F =20mA				V _R =5V	I _F =20mA						
OSW52124A1C-TR10	White	W	2.8	3.1	3.6	10	750	1120	-	CCT:8500-18000K			100	
OSB4212411C-TR10	Blue	B	2.8	3.1	3.6	10	3000	4200	-	455	460	465	10	
OSG5212411C-TR10	Pure Green	PG	2.8	3.1	3.6	10	10000	12000	-	520	525	530	10	
OSG8212411C-TR10	Yellow Green	YG	1.8	2.1	2.6	10	750	1120	-	565	570	575	10	
OSY5212411C-TR10	Yellow	Y	1.8	2.1	2.6	10	3000	4200	-	585	590	595	10	
OSO5212411C-TR10	Orange	O	1.8	2.1	2.6	10	3000	4200	-	600	605	610	10	
OSR5212411C-TR10	Red	R	1.8	2.1	2.6	10	3000	4200	-	620	625	630	10	

*1 Tolerance of measurements of dominant wavelength is ±1nm

*2 Tolerance of measurements of luminous intensity is ±15%

*3 Tolerance of measurements of forward voltage is ±0.1V