

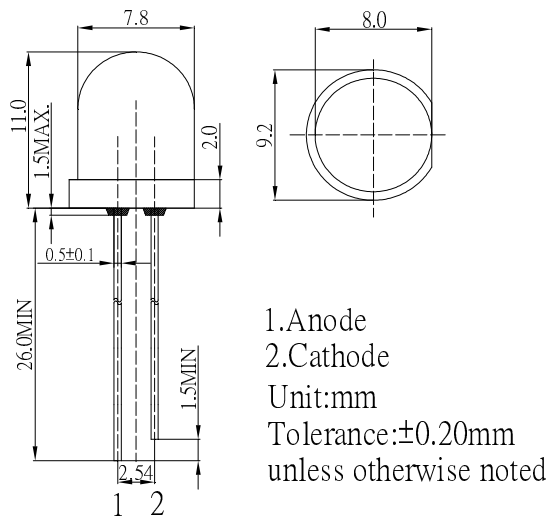
■ Features

- High Lumen LEDs
- 8mm Round Standard Directivity
- UV Resistant Epoxy
- Water Clear Type

■ Applications

- Advertising Board
- Horticulture Application
- Beauty Product

■ Outline Dimension

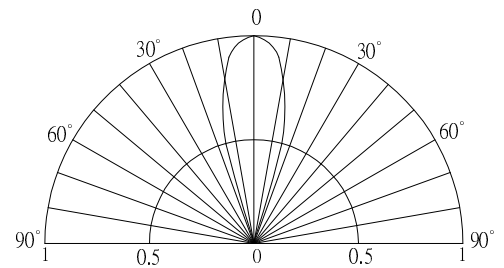


■ Absolute Maximum Rating

(Ta=25°C)

Item	Symbol	Value		Unit
		W/M/B/PG	Y/O/R	
DC Forward Current	I _F	30	30	mA
Pulse Forward Current#	I _{FP}	100	100	mA
Reverse Voltage	V _R	5	5	V
Power Dissipation	P _D	102	78	mW
Operating Temperature	T _{opr}	-30 ~ +85		°C
Storage Temperature	T _{stg}	-40 ~ +100		°C
Lead Soldering Temperature	T _{sol}	260°C/5sec		-

■ Directivity



#Pulse width Max.10ms Duty ratio max 1/10

■ Electrical -Optical Characteristics

(Ta=25°C)

Part Number	Color		V _F (V)*			I _R (μA)	Φ _v (LM)*			I _v (mcd)*			Wd(nm)*			2θ1/2(deg)	
			Min.	Typ.	Max.		Max.	Min.	Typ.	Max.	Min.	Typ.	Max.	Min.	Typ.		Max.
			I _F =30mA				V _R =5V	I _F =30mA									
OSW44P8131A	Pure White	W	-	2.9	3.4	10	8.5	10	-	36000	43000	-	5500-8500K(X:0.31,Y:0.33)			30	
OSM54P8131A	Warm White	M	-	2.9	3.4	10	8.5	10	-	36000	43000	-	2700-3200K(X:0.44,Y:0.41)			30	
OSB56P8131A	Blue	B	-	2.9	3.4	10	2.5	3.0	-	12000	14400	-	465	470	475	30	
OSG5GP8131A	Pure Green	PG	-	2.9	3.4	10	9	10	-	72000	85000	-	520	525	530	30	
OS5YKP8131A	Yellow	Y	-	2.1	2.6	10	3.5	4.5	-	18000	22000	-	585	590	595	30	
OS5OKP8131A	Orange	O	-	2.1	2.6	10	3.5	4.5	-	18000	22000	-	600	605	610	30	
OS5RKP8131A	Red	R	-	2.1	2.6	10	3.5	4.5	-	18000	22000	-	620	625	630	30	

*1 Tolerance of measurements of chromaticity coordinate is ±10%

*2 Tolerance of measurements of dominant wavelength is ±1nm

*3 Tolerance of measurements of luminous flux is ±15%

*4 Tolerance of measurements of forward voltage is ±0.1V