

■ **Features**

- 4.0 Inch Single Digit Display
- Long lifetime operation
- IC compatible
- Black surface & white segment or dot
- Number of pins:10

■ **Applications**

- Counting device
- Clock

■ **Absolute Maximum Rating (Ta=25°C)**

Item	Symbol	Value		Unit
		RA/R/YG/Y/O	B/G/W	
DC Forward Current	I <sub>F</sub>	20	20	mA
Pulse Forward Current#	I <sub>FP</sub>	100	100	mA
Reverse Voltage / Per Segment or (Dp)	V <sub>R</sub>	25(5)	25(5)	V
Power Dissipation / Per Segment or (Dp)	P <sub>t</sub>	250(50)	350(70)	mW
Operating Temperature	Topr	-30 ~ +70		°C
Storage Temperature	Tstg	-40~ +85		°C
Lead Soldering Temperature(1.6mm from seating plane)	Tsol	260°C/5sec		°C

#Pulse width Max.10ms Duty ratio max 1/10

■ **Electrical -Optical Characteristics (Ta=25°C)**

Part Number	Color			V <sub>F</sub> (V) Per Segment or (Dp)*			I <sub>R</sub> (μA)	I <sub>v</sub> (mcd)*			λD(nm)*		
				Min.	Typ.	Max.	Max.	Min.	Typ.	Max.	Min.	Typ.	Max.
				I <sub>F</sub> =20mA			V <sub>R</sub> =5V	I <sub>F</sub> =20mA					
OSL14003-IW(LW)	White	W		-	15.5 (3.1)	17.5 (3.5)	10	-	65	-	X=0.27, Y=0.28		
OSL14003-IB(LB)	Blue	B	■	-	15.5 (3.1)	17.5 (3.5)	10	-	50	-	-	465	-
OSL14003-IG(LG)	Pure Green	G	■	-	15.5 (3.1)	17.5 (3.5)	10	-	200	-	-	525	-
OSL14003-IYG(LYG)	Yellow Green	YG	■	-	10.5 (2.1)	12.5 (2.5)	10	-	12	-	-	571	-
OSL14003-IY(LY)	Yellow	Y	■	-	10.5 (2.1)	12.5 (2.5)	10	-	60	-	-	590	-
OSL14003-IO(LO)	Orange	O	■	-	10.5 (2.1)	12.5 (2.5)	10	-	70	-	-	605	-
OSL14003-IR(LR)	Red	R	■	-	10.5 (2.1)	12.5 (2.5)	10	-	26	-	-	630	-
OSL14003-IRA(LRA)	High Luminance Red	RA	■	-	10.5 (2.1)	12.5 (2.5)	10	-	100	-	-	625	-

\*1 Tolerance of measurements of chromaticity coordinate is ±10%

\*2 Tolerance of measurements of dominant wavelength is ±1nm

\*3 Tolerance of measurements of luminous intensity is ±15%

\*4 Tolerance of measurements of forward voltage is ±0.1V

<b>4.0 Inch Single Digit Display</b>
<b>OSL14003-IX (Common Anode type)</b>
<b>OSL14003-LX (Common Cathode type)</b>

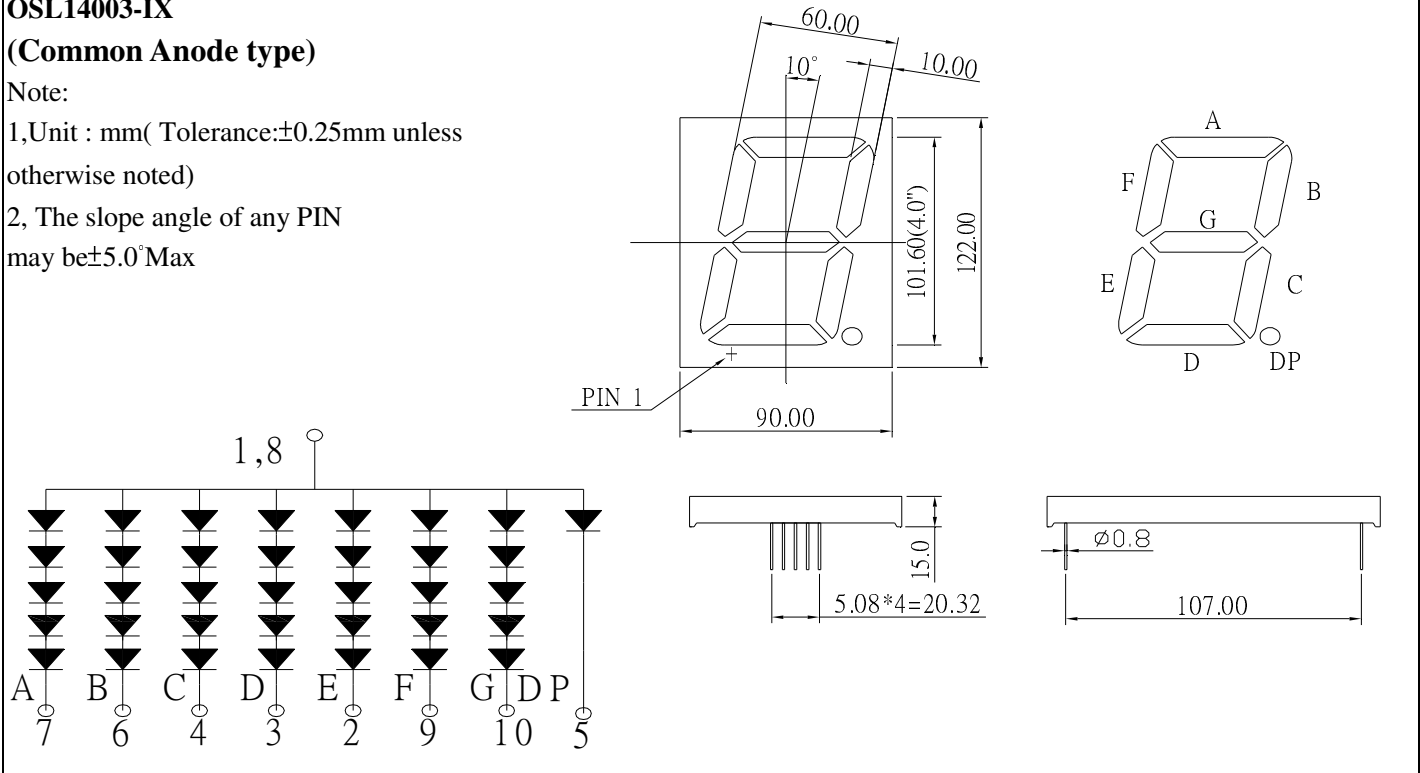
■ Package Dimensions and Pin Function

**OSL14003-IX**

**(Common Anode type)**

Note:

- 1, Unit : mm( Tolerance:±0.25mm unless otherwise noted)
- 2, The slope angle of any PIN may be ±5.0°Max



**OSL14003-LX**

**(Common Cathode type)**

Note:

- 1, Unit : mm( Tolerance:±0.25mm unless otherwise noted)
- 2, The slope angle of any PIN may be ±5.0°Max

