



■ Description

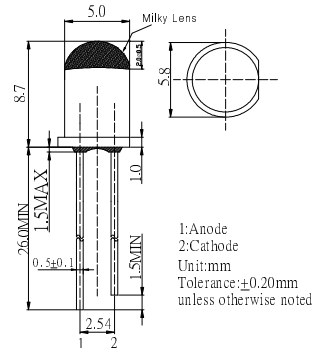
- 50pcs LED are supplied in a storage box
- Easy to use and storage, user-friendly
- High luminous LEDs
- 5mm round standard directivity
- UV resistant epoxy
- Available in all colors
- Water clear body with milky top lens

■ Applications

- Electronic Signs and Signals
- Small Area Illuminations
- Back Lighting
- Other Lighting

■ Outline Dimension

50pcs/Box (Dimensions: 80*54*30mm)

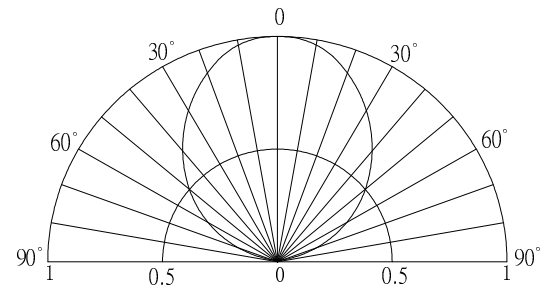


■ Absolute Maximum Rating (Ta=25°C)

| Item | Symbol | Value | | Unit |
|----------------------------|------------------|------------|-----------|------|
| | | R/Y/O | B/PG/PK/W | |
| DC Forward Current | I _F | 30 | 30 | mA |
| Pulse Forward Current# | I _{FP} | 100 | 100 | mA |
| Reverse Voltage | V _R | 5 | 5 | V |
| Power Dissipation | P _D | 78 | 102 | mW |
| Operating Temperature | T _{opr} | -30 ~ +85 | | °C |
| Storage Temperature | T _{stg} | -40 ~ +100 | | °C |
| Lead Soldering Temperature | T _{sol} | 260°C/5sec | | - |

#Pulse width Max.10ms Duty ratio max 1/10

■ Directivity



■ Electrical -Optical Characteristics (Ta=25°C)

| Milky Lens LED | Red | Yellow | Orange | Blue | Pure Green | Pink | Warm White | Cool White |
|-------------------------|---------------|---------------|---------------|---------------|---------------|---------------|---------------|---------------|
| Kit Box P/N | OKLEDT5050R5L | OKLEDT5050Y5L | OKLEDT5050O5L | OKLEDT5050B5L | OKLEDT5050G5L | OKLEDT5050K5L | OKLEDT5050M3L | OKLEDT5050WAL |
| LED P/N | OSSREA51A5A | OS5YEA51A5A | OSSOPM51A5A | OSB5SA51A5A | OSG5DA51A5A | OSK5DK51A5A | OSM5DK51A5A | OSW5DK51A5A |
| Light Color | Red | Yellow | Orange | Blue | Pure Green | Pink | Warm White | Cool White |
| Lens Color | Milky Top | Milky Top | Milky Top | Milky Top | Milky Top | Milky Top | Milky Top | Milky Top |
| λ _D *1/CCT*2 | 620-630nm | 585-595nm | 600-610nm | 465-475nm | 520-530nm | X:0.45 Y:0.17 | 2700-3300K | 8500-18000K |
| Luminous Flux (typ.)*3 | 3000mcd | 3000mcd | 3000mcd | 2180mcd | 3000mcd | 1560mcd | 4200mcd | 5800mcd |
| Forward Voltage*4 | 1.8-2.6V | 1.8-2.6V | 1.8-2.6V | 2.7-3.4V | 2.7-3.4V | 2.7-3.4V | 2.7-3.4V | 2.7-3.4V |
| Forward Current | 20mA | 20mA | 20mA | 20mA | 20mA | 20mA | 20mA | 20mA |
| Viewing Angle(typ.) | 100° | 100° | 100° | 100° | 100° | 100° | 100° | 100° |
| Quantity(pcs)/Box | 50 | 50 | 50 | 50 | 50 | 50 | 50 | 50 |

*1 Tolerance of measurements of dominant wavelength is ±1nm

*2 Tolerance of measurements of color temperature is ±10%

*3 Tolerance of measurements of luminous intensity is ±15%

*4 Tolerance of measurements of forward voltage is ±0.1V