

■ Description

- 96pcs are supplied in a storage box
- Easy to use and storage, user-friendly
- Widely applied to project design, school science experiments, car decorations etc.

■ Features

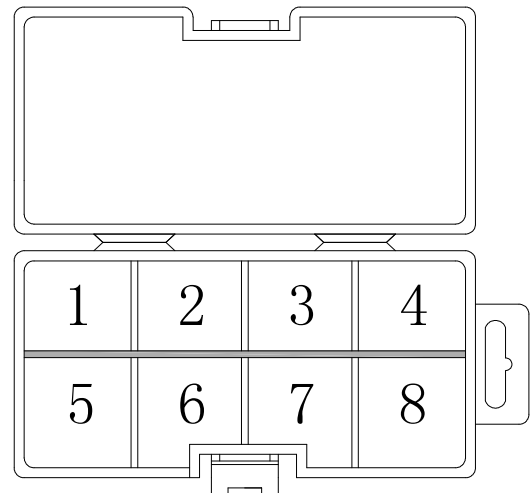
- 5mm round standard 100° directivity
- Red/Yellow/Orange/Blue/Pure Green/Pink/
Warm White/Cool White
- Water clear body with milky top lens

■ Kit Contents

Section	Contents	Pcs	P/N	Spec
1	5mm Round Milky Lens LED, Red	12	OS5REA51A5A	Page 2
2	5mm Round Milky Lens LED, Yellow	12	OS5YEA51A5A	
3	5mm Round Milky Lens LED, Orange	12	OS5OPM51A5A	
4	5mm Round Milky Lens LED, Blue	12	OSB5SA51A5A	
5	5mm Round Milky Lens LED, Pure Green	12	OSG5DA51A5A	
6	5mm Round Milky Lens LED, Pink	12	OSK5DK51A5A	
7	5mm Round Milky Lens LED, Warm White	12	OSM5DK51A5A	
8	5mm Round Milky Lens LED, Cool White	12	OSW5DK51A5A	

■ Product Picture

96pcs/Box (Dimensions: 137*68*28mm)



■ Description

- High luminous LEDs
- 5mm round standard directivity
- UV resistant epoxy
- Available in all colors
- Water clear body with milky top lens

■ Applications

- Electronic Signs and Signals
- Small Area Illuminations
- Back Lighting
- Other Lighting

■ Absolute Maximum Rating (Ta=25°C)

Item	Symbol	Value		Unit
		R/Y/O	B/PG/K/M/W	
DC Forward Current	I _F	30	30	mA
Pulse Forward Current#	I _{FP}	100	100	mA
Reverse Voltage	V _R	5	5	V
Power Dissipation	P _D	78	102	mW
Operating Temperature	T _{opr}	-30 ~ +85		°C
Storage Temperature	T _{stg}	-40 ~ +100		°C
Lead Soldering Temperature	T _{sol}	260°C/5sec		-

#Pulse width Max.10ms Duty ratio max 1/10

■ Electrical -Optical Characteristics (Ta=25°C)

Milky Lens LED	Red	Yellow	Orange	Blue	Pure Green	Pink	Warm White	Cool White
LED P/N	OS5REA51A5A	OS5YEA51A5A	OS5OPM51A5A	OSB5SA51A5A	OSG5DA51A5A	OSK5DK51A5A	OSM5DK51A5A	OSW5DK51A5A
Light Color	Red	Yellow	Orange	Blue	Pure Green	Pink	Warm White	Cool White
Lens Color	Milky Top	Milky Top	Milky Top	Milky Top	Milky Top	Milky Top	Milky Top	Milky Top
WD*1/CCT*2	620-630nm	585-595nm	600-610nm	465-475nm	520-530nm	X:0.45 Y:0.17	2700-3300K	8500-18000K
Luminous Intensity (typ.)*3	3000mcd	3000mcd	3000mcd	2180mcd	3000mcd	1560mcd	4200mcd	5800mcd
Forward Voltage*4	1.8-2.6V	1.8-2.6V	1.8-2.6V	2.7-3.4V	2.7-3.4V	2.7-3.4V	2.7-3.4V	2.7-3.4V
Forward Current	20mA	20mA	20mA	20mA	20mA	20mA	20mA	20mA
Viewing Angle(typ.)	100°	100°	100°	100°	100°	100°	100°	100°
Quantity(pcs)/Box	12	12	12	12	12	12	12	12

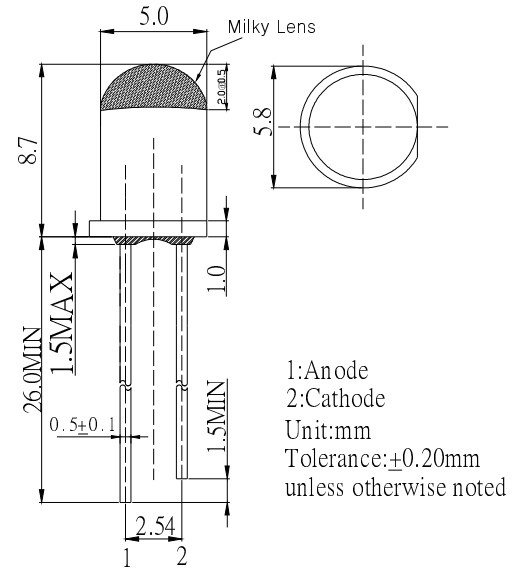
*1 Tolerance of measurements of dominant wavelength is ±1nm

*2 Tolerance of measurements of color temperature is ±10%

*3 Tolerance of measurements of luminous intensity is ±15%

*4 Tolerance of measurements of forward voltage is ±0.1V

■ Outline Dimension



■ Directivity

