

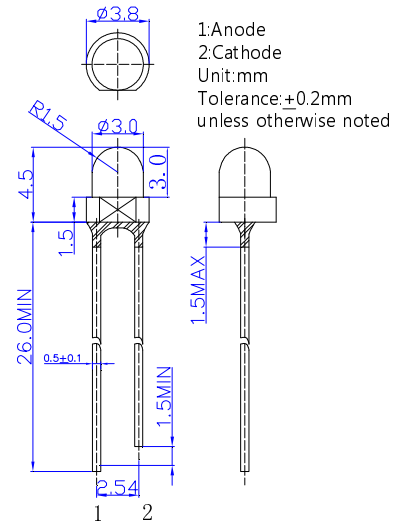
**■ Features**

- High Luminous LEDs
- 3mm Round Standard Directivity
- UV Resistant Epoxy
- Wide Viewing Angle
- Smooth Light Pattern
- Water Clear Type

**■ Applications**

- Background illumination
- Communications equipment
- Low power DC circuits
- General lighting purposes

**■ Outline Dimension**

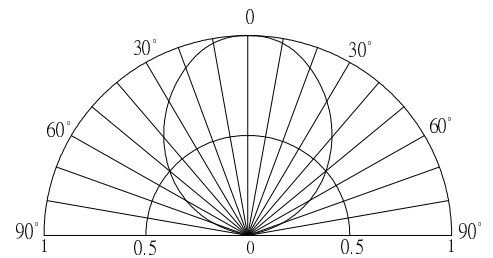


**■ Absolute Maximum Rating**

(Ta=25°C)

Item	Symbol	Value		Unit
		W/M/B/PG	YG/Y/O/R	
DC Forward Current	I <sub>F</sub>	30	30	mA
Pulse Forward Current#	I <sub>FP</sub>	100	100	mA
Reverse Voltage	V <sub>R</sub>	5	5	V
Power Dissipation	P <sub>D</sub>	102	78	mW
Operating Temperature	Topr	-30 ~ +85		°C
Storage Temperature	Tstg	-40~ +100		°C
Lead Soldering Temperature	Tsol	260°C/5sec		-

**■ Directivity**



#Pulse width Max.10ms Duty ratio max 1/10

**■ Electrical -Optical Characteristics**

(Ta=25°C)

Part Number	Color			V <sub>F</sub> (V)*1			I <sub>R</sub> (μA)	I <sub>v</sub> (mcd)*2			λD (nm)*3/ CCT (K)*4			θ1/2 (deg)	
				Min.	Typ.	Max.		Min.	Typ.	Max.	Min.	Typ.	Max.		Typ.
				I <sub>F</sub> =20mA				V <sub>R</sub> =5V			I <sub>F</sub> =20mA				
OSW5DK3VA1A	White	W		-	2.9	3.4	10	1120	1560	-	8500-18000K(X:0.27,Y:0.28)			100	
OSM5DK3VA1A	Warm White	M	■	-	2.9	3.4	10	750	1120	-	2700-3200K(X:0.45,Y:0.41)			100	
OSB5SA3VA1A	Blue	B	■	-	2.9	3.4	10	330	500	-	465	470	475	100	
OSG5DA3VA1A	Pure Green	PG	■	-	2.9	3.4	10	1120	1560	-	520	525	530	100	
OSG8HA3VA1A	Yellow Green	YG	■	-	2.1	2.6	10	68	100	-	565	570	575	100	
OSY5PA3VA1A	Yellow	Y	■	-	2.1	2.6	10	330	500	-	585	590	595	100	
OSO5PA3VA1A	Orange	O	■	-	2.1	2.6	10	330	500	-	600	605	610	100	
OSR5PA3VA1A	Red	R	■	-	2.1	2.6	10	330	500	-	620	625	630	100	

\*1 Tolerance of measurements of forward voltage is ±0.1V

\*2 Tolerance of measurements of luminous intensity is ±15%

\*3 Tolerance of measurements of dominant wavelength is ±1nm

\*4 Tolerance of measurements of Color Temperature is ±10%