

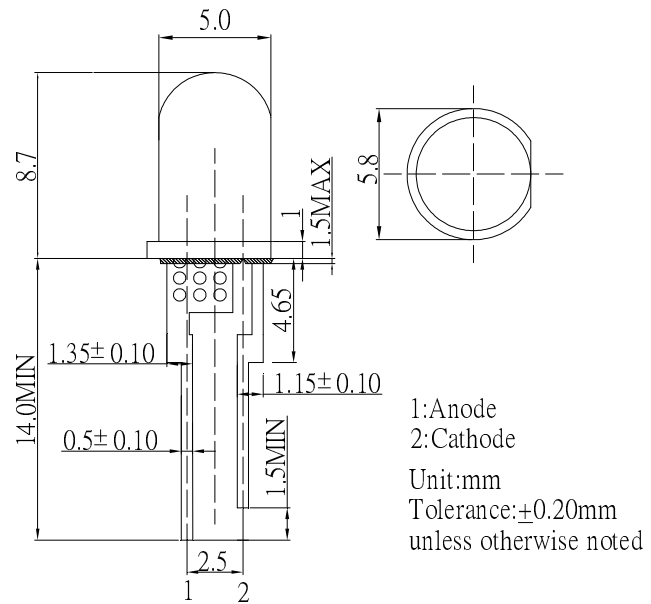
■Features

- Highest Luminous Flux
- Long Lifetime Operation
- Low Thermal Resistance
- Water Clear Type

■Applications

- Read Lights (car, bus, aircraft)
- Bollards / Security / Garden
- Small Area Illuminations
- Indoor / Outdoor Commercial Lights
- Automotive Ext

■Outline Dimension

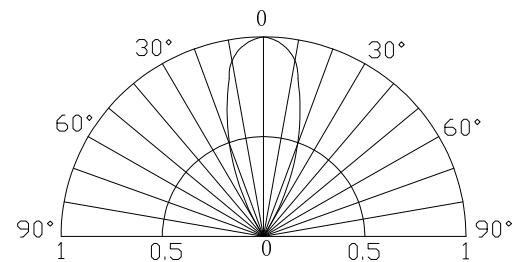


■Absolute Maximum Rating

(Ta=25°C)

Item	Symbol	Value	Unit
DC Forward Current	I _F	200	mA
Pulse Forward Current#	I _{FP}	250	mA
Reverse Voltage	V _R	5	V
Power Dissipation	P _D	520	mW
Operating Temperature	T _{opr}	-30 ~ +85	°C
Storage Temperature	T _{stg}	-40 ~ +100	°C
Lead Soldering Temperature	T _{sol}	260°C/5sec	-

■Directivity



#Pulse width Max.10ms Duty ratio max 1/10

■Electrical -Optical Characteristics

(Ta=25°C)

Item	Symbol	Condition	Min.	Typ.	Max.	Unit
DC Forward Voltage*1	V _F	I _F =150mA	-	2.2	2.6	V
DC Reverse Current	I _R	V _R =5V	-	-	10	μA
Luminous Flux*2	Φ _v	I _F =150mA	18	20	-	lm
Luminous Intensity*3	I _v	I _F =150mA	22000	25000	-	mcd
Domi. Wavelength*4	λ _D	I _F =150mA	620	625	630	nm
50% Power Angle	2θ _{1/2}	I _F =150mA	-	40	-	deg

*1 Tolerance of measurements of forward voltage is ±0.1V

*2 Tolerance of measurements of luminous flux is ±15%

*3 Tolerance of measurements of luminous intensity is ±15%

*4 Tolerance of measurements of dominant wavelength is ±10%