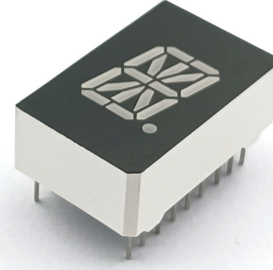


■ **Photo**



■ **Features**

- 0.5 Inch 16-Segment Single Digit Display
- Long lifetime operation
- IC compatible
- Low power dissipation
- Black surface & white segment or dot
- Number of Pins:18

■ **Applications**

- Counting device
- Clock

■ **Absolute Maximum Rating** (Ta=25°C)

Item	Symbol	Value		Unit
		YG/Y/ R/RA	W/B/G	
DC Forward Current	I <sub>F</sub>	20	20	mA
Pulse Forward Current#	I <sub>FP</sub>	100	100	mA
Reverse Voltage	V <sub>R</sub>	5	5	V
Power Dissipation	P <sub>t</sub>	50	72	mW
Operating Temperature	Topr	-30 ~ +70		°C
Storage Temperature	Tstg	-40~ +85		°C
Lead Soldering Temperature(1.6mm from seating plane)	Tsol	260°C/5sec		°C

#Pulse width Max.10ms Duty ratio max 1/10

■ **Electrical -Optical Characteristics** (Ta=25°C)

Part Number	Color		V <sub>F</sub> (V)			I <sub>R</sub> (μA)	I <sub>v</sub> (mcd)			λD(nm)		
			Min.	Typ.	Max.	Max.	Min.	Typ.	Max.	Min.	Typ.	Max.
			I <sub>F</sub> =20mA			V <sub>R</sub> =5V		I <sub>F</sub> =20mA				
OSL10504-IW(LW)	White	W	-	3.1	3.6	20	40	65	-	X=0.27,Y=0.28 (CCT:8000-18000K)		
OSL10504-IB(LB)	Blue	B	-	3.1	3.6	20	40	60	-	460	470	475
OSL10504-IG(LG)	Pure Green	G	-	3.1	3.6	20	200	300	-	515	525	530
OSL10504-IYG(LYG)	Yellow Green	YG	-	2.1	2.6	20	20	25	-	565	571	575
OSL10504-IY(LY)	Yellow	Y	-	2.1	2.5	20	50	60	-	585	590	595
OSL10504-IR(LR)	Red	R	-	2.1	2.5	20	20	30	-	620	630	640
OSL10504-IRA(LRA)	High Luminance Red	RA	-	2.1	2.5	20	80	100	-	620	625	630

\*1 Tolerance of measurements of chromaticity coordinates is ±10% \*2 Tolerance of measurements of dominant wavelength is ±1nm

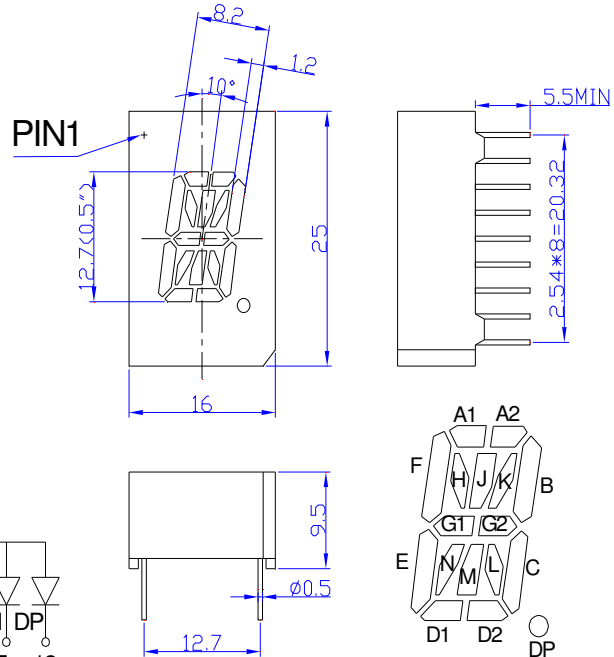
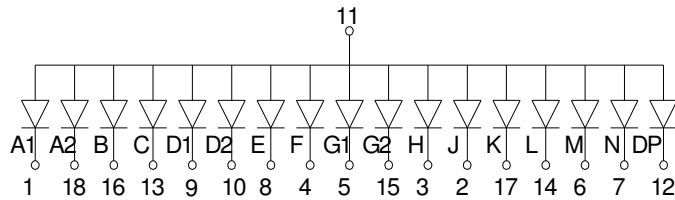
\*3 Tolerance of measurements of luminous intensity is ±15%

\*4 Tolerance of measurements of forward voltage is ±0.1V

■ Package dimensions and pin function

**OSL10504-IX  
(Common Anode type)**

Note:  
Unit : mm( Tolerance:±0.25mm unless  
otherwise noted)



**OSL10504-LX  
(Common Cathode type)**

Note:  
Unit : mm( Tolerance:±0.25mm unless  
otherwise noted)

