

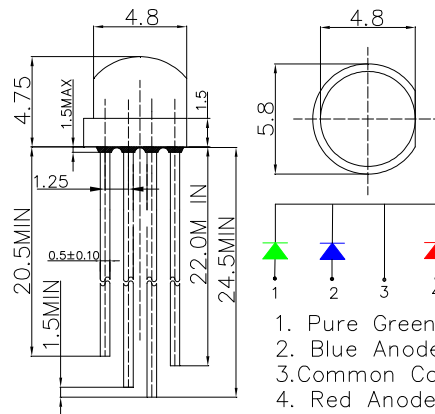
**■Features**

- High Luminous LEDs
- 4.8mm Straw Standard Directivity
- White Diffused Type
- Common Cathode Type

**■Applications**

- Toys
- Games
- Audio
- Other Lighting

**■Outline Dimension**



1. Pure Green Anode
2. Blue Anode
3. Common Cathode
4. Red Anode

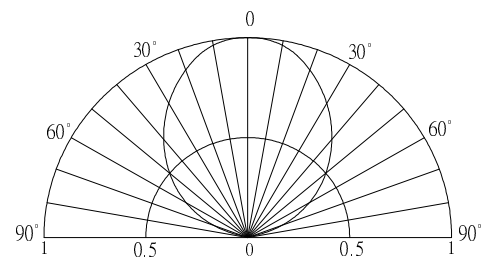
Unit: mm  
Tolerance:  $\pm 0.20$ mm  
unless otherwise noted

**■Absolute Maximum Rating (Ta=25°C)**

Item	Symbol	Value		Unit
		Red	Blue/Green	
DC Forward Current	I <sub>F</sub>	30	30	mA
Pulse Forward Current#	I <sub>FP</sub>	100	100	mA
Reverse Voltage	V <sub>R</sub>	5	5	V
Power Dissipation	P <sub>D</sub>	78	102	mW
Operating Temperature	Topr	-30 ~ +85		°C
Storage Temperature	Tstg	-40 ~ +100		°C
Lead Soldering Temperature	Tsol	260°C/5sec		-

#Pulse width Max.10ms Duty ratio max 1/10

**■Directivity**



**■Electrical -Optical Characteristics (Ta=25°C)**

Item	Symbol	Condition	Min.	Typ.	Max.	Unit
DC Forward Voltage*1	V <sub>F</sub> (R)	I <sub>F</sub> =20mA	-	2.1	2.6	V
	V <sub>F</sub> (B/G)	I <sub>F</sub> =20mA	-	2.9	3.4	V
DC Reverse Current	I <sub>R</sub>	V <sub>R</sub> =5V	-	-	10	μA
Domi. Wavelength*2	λ <sub>D</sub> (Red)	I <sub>F</sub> =20mA	620	625	630	nm
	λ <sub>D</sub> (Blue)	I <sub>F</sub> =20mA	465	470	475	nm
	λ <sub>D</sub> (Green)	I <sub>F</sub> =20mA	520	525	530	nm
Luminous Intensity*3	I <sub>v</sub> (Red)	I <sub>F</sub> =20mA	1120	1560	-	mcd
	I <sub>v</sub> (Blue)	I <sub>F</sub> =20mA	500	750	-	mcd
	I <sub>v</sub> (Green)	I <sub>F</sub> =20mA	1560	2180	-	mcd
50% Power Angle	2θ <sub>1/2</sub>	I <sub>F</sub> =20mA	-	100	-	deg

\*1 Tolerance of measurements of forward voltage is  $\pm 0.1$ V

\*2 Tolerance of measurements of dominant wavelength is  $\pm 1$ nm

\*3 Tolerance of measurements of luminous intensity is  $\pm 15$ %