

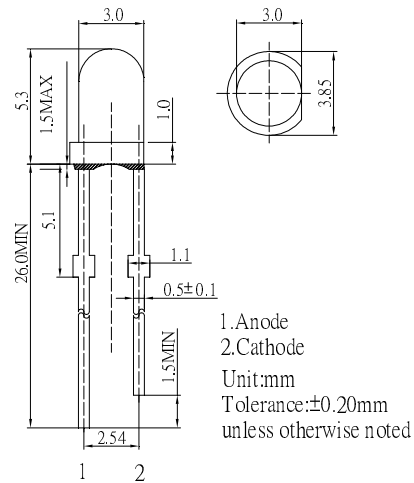
■ Features

- High Luminous LEDs
- 3mm Standard Directivity
- UV Resistant Epoxy
- Color Diffused Type(W/M: White Diffused)

■ Applications

- Electronic Signs And Signals
- Small Area Illuminations
- Back Lighting
- Other Lighting

■ Outline Dimension

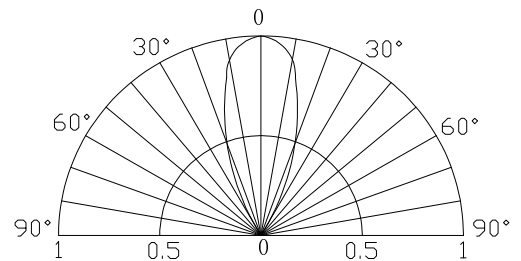


■ Absolute Maximum Rating

(Ta=25°C)

Item	Symbol	Value		Unit
		W/M/B/PG	Y/O/R	
DC Forward Current	I _F	30	30	mA
Pulse Forward Current#	I _{FP}	100	100	mA
Reverse Voltage	V _R	5	5	V
Power Dissipation	P _D	102	78	mW
Operating Temperature	Topr	-30 ~ +85		°C
Storage Temperature	Tstg	-40~ +100		°C
Lead Soldering Temperature	Tsol	260°C/5sec		-

■ Directivity



#Pulse width Max.10ms Duty ratio max 1/10

■ Electrical -Optical Characteristics

(Ta=25°C)

Part Number	Color			V _F (V)			I _R (μA)	I _v (mcd)			λD(nm)			θ1/2(deg)
				Min.	Typ.	Max.	Max.	Min.	Typ.	Max.	Min.	Typ.	Max.	Typ.
				I _F =20mA			V _R =5V			I _F =20mA				
OSW5DK3142C	White	W		-	2.9	3.4	10	1560	2180	-	8500-18000K(X:0.27,Y:0.28)			40
OSM5DK3142C	Warm White	M	■	-	2.9	3.4	10	1560	2180	-	2700-3200K(X:0.45,Y:0.41)			40
OSB5SA3144C	Blue	B	■	-	2.9	3.4	10	500	750	-	465	470	475	40
OSG5DA3144C	Pure Green	PG	■	-	2.9	3.4	10	1560	2180	-	520	525	530	40
OSY5PA3144C	Yellow	Y	■	-	2.1	2.6	10	1120	1560	-	585	590	595	40
OSO5PA3144C	Orange	O	■	-	2.1	2.6	10	1120	1560	-	600	605	610	40
OSR5PA3144C	Red	R	■	-	2.1	2.6	10	1120	1560	-	620	625	630	40

*1 Tolerance of measurements of chromaticity coordinate is ±10% *2 Tolerance of measurements of dominant wavelength is ±1nm

*3 Tolerance of measurements of luminous intensity is ±15% *4 Tolerance of measurements of forward voltage is +0.1V

LED & Application Technologies

