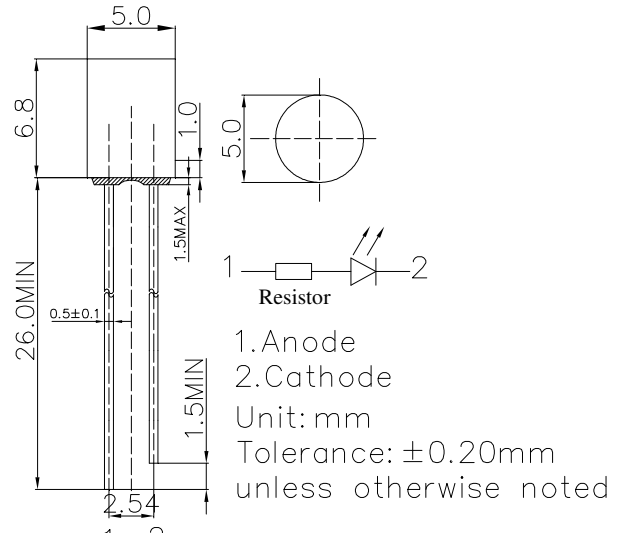


**■ Features**

- High Luminous LEDs
  - 5mm Flat Top Standard Directivity
  - UV Resistant Epoxy
  - Integral Current Limiting Resistor
  - TTL Compatible (Requires No External Current Limiter With 12 Volt Supply)
  - Cost Effective (Saves Space and Resistor Cost)
  - Water Clear Type
- Applications**
- Status Indicators
  - Other Lighting

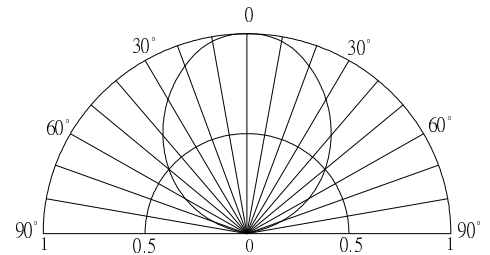
**■ Outline Dimension**



**■ Absolute Maximum Rating (Ta=25°C)**

Item	Symbol	Value	Unit
DC Forward Voltage	V <sub>F</sub>	15	V
Reverse Voltage	V <sub>R</sub>	5	V
Power Dissipation	P <sub>D</sub>	225	mW
Operating Temperature	T <sub>opr</sub>	-30 ~ +85	°C
Storage Temperature	T <sub>stg</sub>	-30 ~ +85	°C
Lead Soldering Temperature	T <sub>sol</sub>	260°C/5sec	-

**■ Directivity**



**■ Electrical -Optical Characteristics (Ta=25°C)**

Part Number	Color		I <sub>F</sub> (mA)			I <sub>v</sub> (mcd)*			λD(nm)*			2θ1/2(deg)
			Min	Typ.	Max.	Min.	Typ.	Max.	Min.	Typ.	Max.	Typ.
			V <sub>F</sub> =12V			V <sub>F</sub> =12V						
OSW5DK5GA1B-12V	White	W	-	10	15	1120	1560	-	X=0.27, Y=0.28(CCT:8500-18000K)			100
OSM5DK5GA1B-12V	Warm White	M	-	10	15	750	1120	-	X=0.44, Y=0.41(CCT:2700-3300K)			100
OSB5SA5GA1B-12V	Blue	B	-	10	15	330	500	-	465	470	475	100
OSG5DA5GA1B-12V	Pure Green	G	-	10	15	750	1120	-	520	525	530	100
OSY5PA5GA1B-12V	Yellow	Y	-	10	15	500	750	-	585	590	595	100
OSO5PA5GA1B-12V	Orange	O	-	10	15	750	1120	-	600	605	610	100
OSR5PA5GA1B-12V	Red	R	-	10	15	500	750	-	620	625	630	100

\*1 Tolerance of measurements of chromaticity coordinate is ±10%  
 \*2 Tolerance of measurements of luminous intensity is ±15%  
 \*3 Tolerance of measurements of dominant wavelength is +1nm