



■ Description

- 96pcs are supplied in a storage box
- Easy to use and storage, user-friendly
- Widely applied to project design, school science experiments, car decorations etc.

■ Features

- 5mm round standard 15° directivity
- Red/Yellow/Orange/Blue/Pure Green/Pink/
Warm White/Pure White
- Water clear

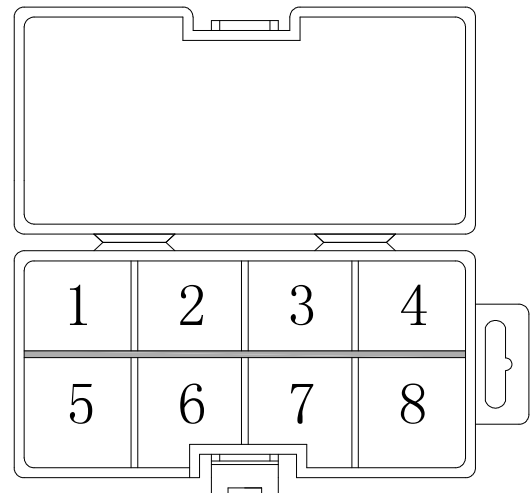
■ Product Picture

96pcs/Box (Dimensions: 137*68*28mm)



■ Kit Contents

Section	Contents	Pcs	P/N	Spec
1	5mm High Lumen LED, Red	12	OS5RKP5111A	Page 2
2	5mm High Lumen LED, Yellow	12	OS5YKP5111A	
3	5mm High Lumen LED, Orange	12	OS5OKP5111A	
4	5mm High Lumen LED, Blue	12	OSB56P5111A	
5	5mm High Lumen LED, Pure Green	12	OSG5GP5111A	
6	5mm High Lumen LED, Pink	12	OSK54P5111A	
7	5mm High Lumen LED, Warm White	12	OSM54P5111A	
8	5mm High Lumen LED, Pure White	12	OSW44P5111A	



■ Description

- 5mm round standard directivity
- UV resistant epoxy
- Available in all colors
- Water clear
- Perfect Beam Pattern

■ Applications

- Advertising Board
- Horticulture Application
- Beauty Product
- Other Lighting

■ Absolute Maximum Rating (Ta=25°C)

Item	Symbol	Value		Unit
		R/Y/O	B/PG/K/M/W	
DC Forward Current	I _F	30	30	mA
Pulse Forward Current#	I _{FP}	100	100	mA
Reverse Voltage	V _R	5	5	V
Power Dissipation	P _D	78	102	mW
Operating Temperature	T _{opr}	-30 ~ +85		°C
Storage Temperature	T _{stg}	-40 ~ +100		°C
Lead Soldering Temperature	T _{sol}	260°C/5sec		-

#Pulse width Max.10ms Duty ratio max 1/10

■ Electrical -Optical Characteristics (Ta=25°C)

High Lumen LED								
LED P/N	OS5RKP5111A	OS5YKP5111A	OS5OKP5111A	OSB56P5111A	OSG5GP5111A	OSK54P5111A	OSM54P5111A	OSW44P5111A
Light Color	Red	Yellow	Orange	Blue	Pure Green	Pink	Warm White	Pure White
Lens Color	Water Clear	Water Clear	Water Clear	Water Clear	Water Clear	Water Clear	Water Clear	Water Clear
WD*1/CCT*2	620-630nm	585-595nm	600-610nm	465-475nm	520-530nm	X:0.45 Y:0.17	2700-3300K	5500-8500K
Luminous Flux (typ.)*3	4.5 lm	4.5 lm	4.5 lm	3 lm	10 lm	2.5 lm	10 lm	10 lm
Forward Voltage*4	1.8-2.6V	1.8-2.6V	1.8-2.6V	2.7-3.4V	2.7-3.4V	2.7-3.4V	2.7-3.4V	2.7-3.4V
Forward Current	30mA	30mA	30mA	30mA	30mA	30mA	30mA	30mA
Viewing Angle(typ.)	15°	15°	15°	15°	15°	15°	15°	15°
Quantity(pcs)/Box	12	12	12	12	12	12	12	12

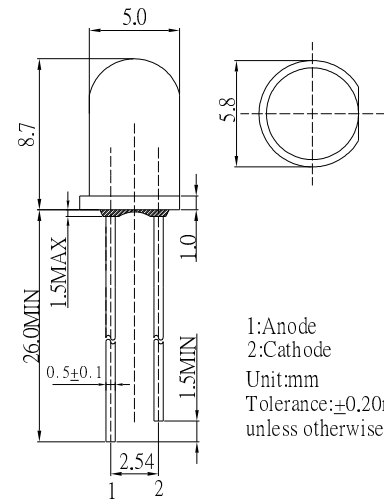
*1 Tolerance of measurements of dominant wavelength is ±1nm

*2 Tolerance of measurements of color temperature is ±10%

*3 Tolerance of measurements of luminous flux is ±15%

*4 Tolerance of measurements of forward voltage is ±0.1V

■ Outline Dimension



1: Anode
2: Cathode
Unit:mm
Tolerance:±0.20mm
unless otherwise noted

■ Directivity

