

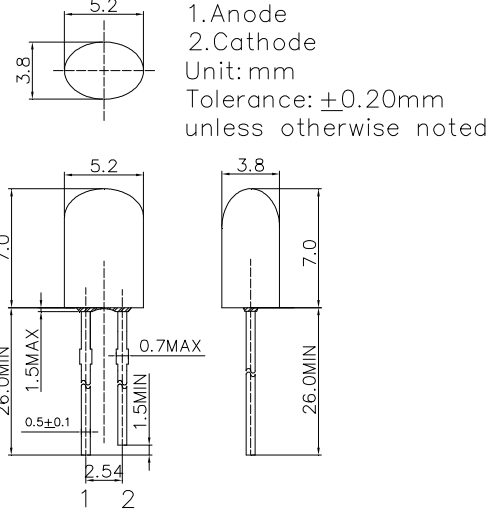
■ **Features**

- High Luminous Oval LED
- Long Lifetime Operation
- UV Resistant Epoxy
- Water Clear Type

■ **Applications**

- Electronic Signs & Signals
- Full-Color Video Screen
- Motorway Signs
- Variable-Message Sign(VMS)

■ **Outline Dimension**

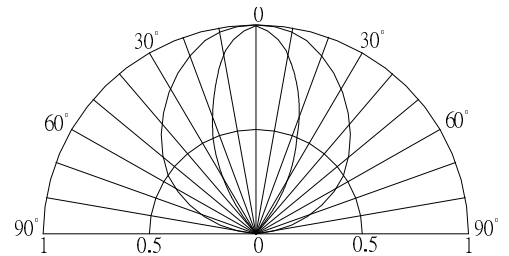


■ **Absolute Maximum Rating**

(Ta=25°C)

Item	Symbol	Value		Unit
		W/M/B/PG	Y/O/R	
DC Forward Current	I _F	30	30	mA
Pulse Forward Current#	I _{FP}	100	100	mA
Reverse Voltage	V _R	5	5	V
Power Dissipation	P _D	108	78	mW
Operating Temperature	Topr	-30 ~ +85		°C
Storage Temperature	Tstg	-40 ~ +100		°C
Lead Soldering Temperature	Tsol	260°C/5sec		-

■ **Directivity**



#Pulse width Max 10ms , Duty ratio max 1/10

■ **Electrical -Optical Characteristics**

(Ta=25°C)

Part Number	Color		V _F (V)			I _R (μA)	I _v (mcd)			λD(nm)			θ1/2(deg)	
			Min.	Typ.	Max.		Max.	Min.	Typ.	Max.	Min.	Typ.		Max.
			I _F =20mA				V _R =5V	I _F =20mA						
OSW54KA5JA1B	Cool White	W	-	2.9	3.4	10	7000	8400	-	8000-18000K (X:0.27,Y:0.28)			100/40	
OSM54KA5JA1B	Warm White	M	-	2.9	3.4	10	5800	7000	-	2700-3300K(X:0.45,Y:0.41)			100/40	
OSB5DA5JA1B	Blue	B	-	3.1	3.6	10	3000	4200	-	465	465	475	100/40	
OSG58A5JA1B	Pure Green	PG	-	3.1	3.6	10	7000	8400	-	520	525	530	100/40	
OSY5PA5JA1B	Yellow	Y	-	2.1	2.6	10	4200	5800	-	585	590	595	100/40	
OSO5PA5JA1B	Orange	O	-	2.1	2.6	10	4200	5800	-	600	605	610	100/40	
OSR5PA5JA1B	Red	R	-	2.1	2.6	10	4200	5800	-	620	625	630	100/40	

*1 Tolerance of measurements of chromaticity coordinate is ±10%

*2 Tolerance of measurements of dominant wavelength is ±1nm

*3 Tolerance of measurements of luminous intensity is ±15%

*4 Tolerance of measurements of forward voltage is ±0.1V