

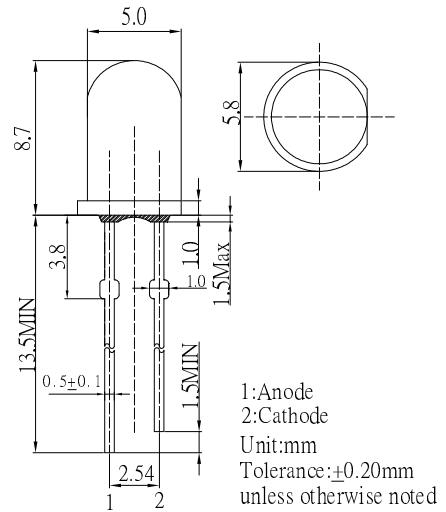
■ Features

- High Luminous LEDs
- 5mm Standard Directivity
- UV Resistant Epoxy
- Fewer Color Diffused / White Diffused (W, M only)

■ Applications

- Electronic Signs and Signals
- Small Area Illuminations
- Back Lighting
- Other Lighting

■ Outline Dimension

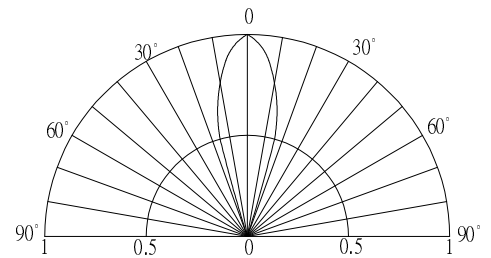


■ Absolute Maximum Rating

(Ta=25°C)

Item	Symbol	Value		Unit
		W/M/B/PG	Y/O/R	
DC Forward Current	IF	30	30	mA
Pulse Forward Current#	IFP	100	100	mA
Reverse Voltage	VR	5	5	V
Power Dissipation	PD	102	78	mW
Operating Temperature	Topr	-30 ~ +85		°C
Storage Temperature	Tstg	-40 ~ +100		°C
Lead Soldering Temperature	Tsol	260°C/5sec		-

■ Directivity



#Pulse width Max.10ms Duty ratio max 1/10

■ Electrical -Optical Characteristics

(Ta=25°C)

Part Number	Color			VF (V)			IR(μA)	Iv(mcd)			λD(nm)			θ1/2(deg)
				Min.	Typ.	Max.	Max.	Min.	Typ.	Max.	Min.	Typ.	Max.	Typ.
				IF=20mA			VR=5V	IF=20mA						
OSW44K5A32G-1	White	W		-	2.9	3.4	10	10000	12000	-	5500-8000K(X:0.31,Y:0.33)			30
OSM54K5A32G-1	Warm White	M	■	-	2.9	3.4	10	8400	10000	-	2700-3200K(X:0.45,Y:0.41)			30
OSB55A5A34G-1	Blue	B	■	-	2.9	3.4	10	4200	5800	-	465	470	475	30
OSG5DA5A34G-1	Pure Green	PG	■	-	2.9	3.4	10	6600	8000	-	520	525	530	30
OSY5PA5A34G-1	Yellow	Y	■	-	2.1	2.6	10	4800	6600	-	585	590	595	30
OSO5PA5A34G-1	Orange	O	■	-	2.1	2.6	10	6600	8000	-	600	605	610	30
OSR5PA5A34G-1	Red	R	■	-	2.1	2.6	10	4800	6600	-	620	625	630	30

*1 Tolerance of measurements of chromaticity coordinate is ±10% *2 Tolerance of measurements of dominant wavelength is ±1nm
 *3 Tolerance of measurements of luminous intensity is ±15% *4 Tolerance of measurements of forward voltage is ±0.1V