

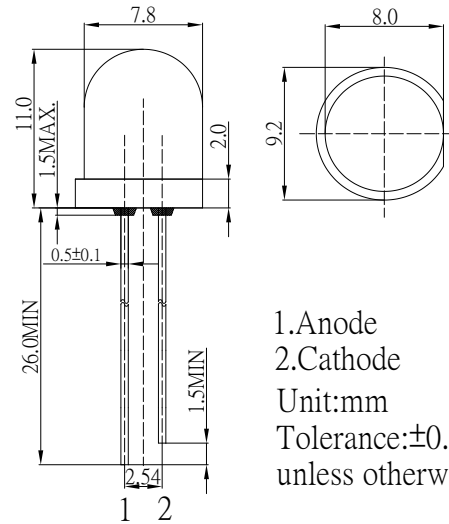
■Features

- High Luminous LEDs
- 8mm Round Standard Directivity
- Candle Light Flashing Type
- Water Clear

■Applications

- Toys
- Games
- Audio
- Other Lighting

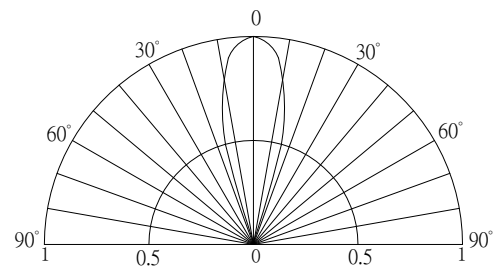
■Outline Dimension



■Absolute Maximum Rating (Ta=25°C)

Item	Symbol	Value	Unit
Power Supply	Voltage	5.0	V
Operating Temperature	Topr	-30 ~ +85	°C
Storage Temperature	Tstg	-40 ~ +100	°C
Lead Soldering Temperature	Tsol	260°C/5sec	-

■Directivity



■Electrical -Optical Characteristics (Ta=25°C)

Part Number	Color		V _F (V)*			I _v (mcd)*			CCT(K)/λD(nm)*			2θ _{1/2} (deg)
			Min.	Typ.	Max.	Min.	Typ.	Max.	Min.	Typ.	Max.	Typ.
			I _F =20mA			I _F =20mA						
OS5WDK8131A	Cool White	W	2.5	3.3	5.0	8400	10000	-	8500-18000K(X:0.27,Y:0.28)			30
OS5MDK8131A	Warm White	M	2.5	3.3	5.0	7000	8400	-	2700-3300K(X:0.45,Y:0.41)			30
OS2MDK8131A	Warm White	M	2.5	3.3	5.0	7000	8400	-	2000-2400K(X:0.51,Y:0.41)			30
OSB5SK8131A	Blue	B	2.5	3.3	5.0	3000	4200	-	465	470	475	30
OSG5DK8131A	Pure Green	PG	2.5	3.3	5.0	14400	18000	-	520	525	530	30
OSY5MK8131A	Yellow	Y	2.5	3.3	5.0	7000	8400	-	585	590	595	30
OSR5MK8131A	Red	R	2.5	3.3	5.0	7000	8400	-	620	625	630	30

*1 Tolerance of measurements of Chromaticity coordinates is ±10%
 *2 Tolerance of measurements of Dominant wavelength is ±1nm
 *3 Tolerance of measurements of luminous intensity is ±15%
 *4 Tolerance of measurements of forward voltage is ±0.1V
 *5 Tolerance of measurements of Frequency is ±20%