

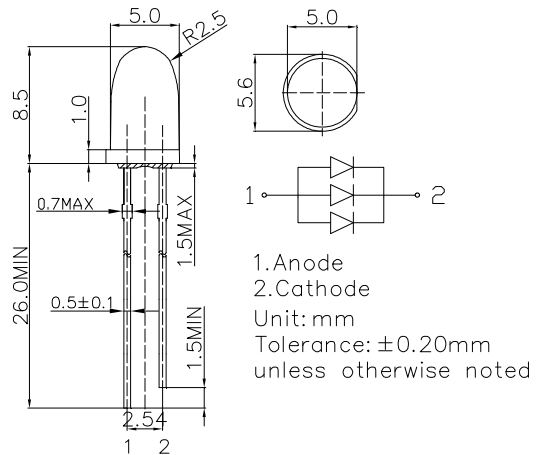
■ Features

- High Lumen Output
- 5mm Bullet-shaped Standard Directivity
- UV Resistant Epoxy
- Water Clear Type

■ Applications

- Electronic Signs and Signals
- Small Area Illuminations
- Back Lighting/ Other Lighting

■ Outline Dimension

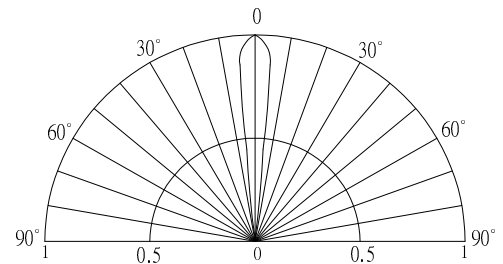


■ Absolute Maximum Rating

(Ta=25°C)

Item	Symbol	Value		Unit
		W/M/B/PG	Y/O/R	
DC Forward Current	I _F	105	105	mA
Pulse Forward Current#	I _{FP}	180	180	mA
Reverse Voltage	V _R	5	5	V
Power Dissipation	P _D	357	273	mW
Operating Temperature	Topr	-30 ~ +85		°C
Storage Temperature	Tstg	-40 ~ +100		°C
Lead Soldering Temperature	Tsol	260°C/5sec		-

■ Directivity



#Pulse width Max.10ms Duty ratio max 1/10

■ Electrical -Optical Characteristics

(Ta=25°C)

Part Number	Color			V _F (V)			I _R (μA)	Φ _V (LM)			Wd(nm)*			2θ1/2(deg)
				Min.	Typ.	Max.	Max.	Min.	Typ.	Max.	Min.	Typ.	Max.	Typ.
				I _F =90mA			V _R =5V			I _F =90mA				
OSW47E5211A	Pure White	W		-	2.9	3.4	30	40	45	-	5500-8500K(X:0.31,Y:0.33)			15
OSM57E5211A	Warm White	M		-	2.9	3.4	30	38	43	-	2700-3300K(X:0.44,Y:0.41)			15
OSB56E5211A	Blue	B		-	2.9	3.4	30	10	12	-	465	470	475	15
OSG59E5211A	Pure Green	PG		-	2.9	3.4	30	34	38	-	520	525	530	15
OS5YKE5211A	Yellow	Y		-	2.1	2.6	30	12	15	-	585	590	595	15
OS5OKE5211A	Orange	O		-	2.1	2.6	30	12	15	-	600	605	610	15
OS5RKE5211A	Red	R		-	2.1	2.6	30	12	15	-	620	625	630	15

*1 Tolerance of measurements of chromaticity coordinate is ±10%

*2 Tolerance of measurements of dominant wavelength is ±1nm

*3 Tolerance of measurements of luminous flux is ±15%

*4 Tolerance of measurements of forward voltage is ±0.1V