

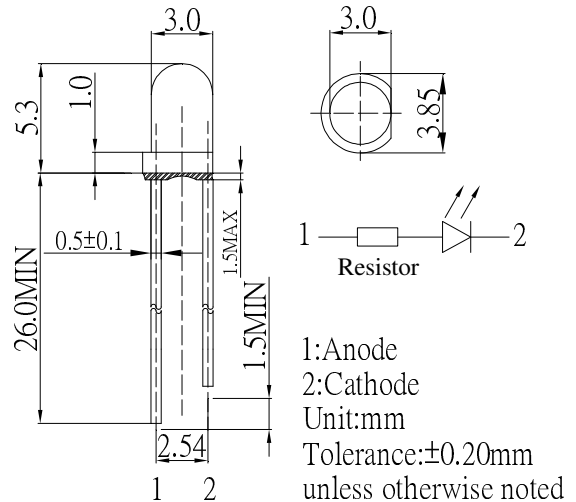
■ **Features**

- Normal Bright LEDs
- 3mm Round Standard Directivity
- UV Resistant Epoxy
- Integral Current Limiting Resistor
- TTL Compatible (Requires No External Current Limiter With 12 Volt Supply)
- Cost Effective (Saves Space and Resistor Cost)
- Color Diffused Type

■ **Applications**

- Status Indicators
- Other Lighting

■ **Outline Dimension**

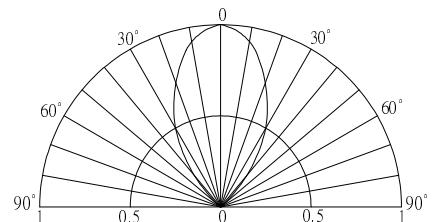


■ **Absolute Maximum Rating**

(Ta=25°C)

| Item                       | Symbol           | Value        | Unit |
|----------------------------|------------------|--------------|------|
| DC Forward Voltage         | V <sub>F</sub>   | 15           | V    |
| Reverse Voltage            | V <sub>R</sub>   | 5            | V    |
| Power Dissipation          | P <sub>D</sub>   | 225          | mW   |
| Operating Temperature      | T <sub>opr</sub> | -30 ~ +85    | °C   |
| Storage Temperature        | T <sub>stg</sub> | -40 ~ +100   | °C   |
| Lead Soldering Temperature | T <sub>sol</sub> | 260°C / 5sec | -    |

■ **Directivity**



■ **Electrical -Optical Characteristics**

(Ta=25°C)

| Item                 | Symbol            | Condition            | Min. | Typ. | Max. | Unit |
|----------------------|-------------------|----------------------|------|------|------|------|
| DC Forward Current*1 | I <sub>F</sub>    | V <sub>F</sub> = 12V | -    | 10   | 15   | mA   |
| DC Reverse Current   | I <sub>R</sub>    | V <sub>R</sub> = 12V | -    | -    | 10   | μA   |
| Domi. Wavelength*2   | λ <sub>D</sub>    | V <sub>F</sub> = 12V | 565  | 570  | 575  | nm   |
| Luminous Intensity*3 | I <sub>v</sub>    | V <sub>F</sub> = 12V | 30   | 45   | -    | mcd  |
| 50% Power Angle      | 2θ <sub>1/2</sub> | V <sub>F</sub> = 12V | -    | 60   | -    | deg  |

\*1 Tolerance of measurements of forward current is ±1mA

\*2 Tolerance of measurements of dominant wavelength is ±1nm

\*3 Tolerance of measurements of luminous intensity is ±15%