

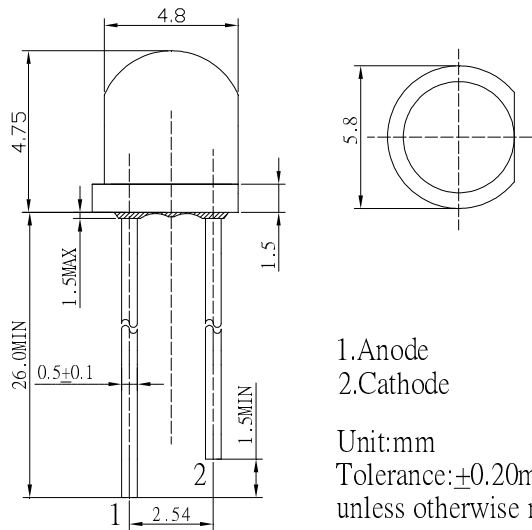
**■ Features**

- High Luminous LEDs
- 4.8mm Straw Standard Directivity
- UV Resistant Epoxy
- Specified at IF = 1 mA
- Water Clear Type

**■ Applications**

- Electronic Signs And Signals
- Small Area Illuminations
- Back Lighting
- Other Lighting

**■ Outline Dimension**

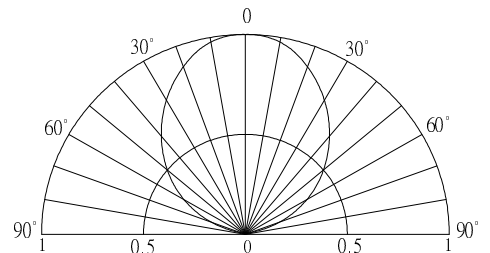


**■ Absolute Maximum Rating**

(Ta=25°C)

Item	Symbol	Value		Unit
		W/M/B/PG	Y/O/R	
DC Forward Current	IF	30	30	mA
Pulse Forward Current#	IFP	100	100	mA
Reverse Voltage	VR	5	5	V
Power Dissipation	PD	102	66	mW
Operating Temperature	Topr	-30 ~ +85		°C
Storage Temperature	Tstg	-40~ +100		°C
Lead Soldering Temperature	Tsol	260°C/5sec		-

**■ Directivity**



#Pulse width Max.10ms Duty ratio max 1/10

**■ Electrical -Optical Characteristics**

(Ta=25°C)

Part Number	Color			VF (V)			Ir(μA)	Iv(mcd)			λD(nm)			θ1/2(deg)
				Min.	Typ.	Max.	Max.	Min.	Typ.	Max.	Min.	Typ.	Max.	Typ.
				IF=1mA			VR=5V	IF=1mA						
OSW54K56A1A-1MA	White	W	-	2.8	3.4	10	220	330	-	8500-18000K(X:0.27,Y:0.28)			100	
OSM54K56A1A-1MA	Warm White	M	-	2.8	3.4	10	150	220	-	2700-3200K(X:0.45,Y:0.41)			100	
OSB5DA56A1A-1MA	Blue	B	-	2.8	3.4	10	100	150	-	465	470	475	100	
OSG58A56A1A-1MA	Pure Green	PG	-	2.8	3.4	10	220	330	-	520	525	530	100	
OSY5PA56A1A-1MA	Yellow	Y	-	1.8	2.2	10	100	150	-	585	590	595	100	
OSO5PA56A1A-1MA	Orange	O	-	1.8	2.2	10	100	150	-	600	605	610	100	
OSR5PA56A1A-1MA	Red	R	-	1.8	2.2	10	100	150	-	620	625	630	100	

\*1 Tolerance of measurements of chromaticity coordinate is ±10% \*2 Tolerance of measurements of dominant wavelength is ±1nm

\*3 Tolerance of measurements of luminous intensity is ±15% \*4 Tolerance of measurements of forward voltage is ±0.1V