

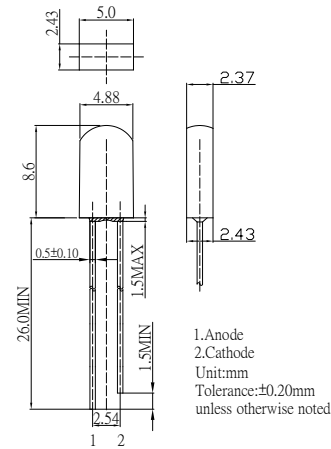
■ Features

- High Luminous LEDs
- 2.43x5.0x8.6mm Tombstone Standard Directivity
- UV Resistant Epoxy
- Color Transparent Type

■ Applications

- General Purpose Indicators
- Decorations
- Back Lighting
- General Use

■ Outline Dimension

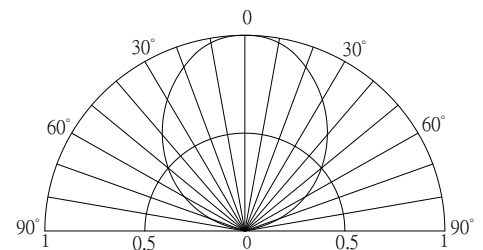


■ Absolute Maximum Rating

(Ta=25°C)

| Item | Symbol | Value | | Unit |
|----------------------------|------------------|------------|----------|------|
| | | B/PG | YG/Y/O/R | |
| DC Forward Current | I _F | 30 | 30 | mA |
| Pulse Forward Current# | I _{FP} | 80 | 100 | mA |
| Reverse Voltage | V _R | 5 | 5 | V |
| Power Dissipation | P _D | 108 | 78 | mW |
| Operating Temperature | T _{opr} | -30 ~ +85 | | °C |
| Storage Temperature | T _{stg} | -40 ~ +100 | | °C |
| Lead Soldering Temperature | T _{sol} | 260°C/5sec | | - |

■ Directivity



#Pulse width Max 0.1ms, Duty ratio max 1/10

■ Electrical -Optical Characteristics

(Ta=25°C)

| Part Number | Color | | V _F (V) | | | I _R (μA) | I _v (mcd)* | | | λ _D (nm)* | | | 2θ1/2(deg) |
|-------------|--------------|----|----------------------|------|------|---------------------|-----------------------|------|------|----------------------|------|------|------------|
| | | | Min. | Typ. | Max. | Max. | Min. | Typ. | Max. | Min. | Typ. | Max. | Typ. |
| | | | I _F =20mA | | | V _R =5V | I _F =20mA | | | | | | |
| OSB5YU7WA3B | Blue | B | - | 2.9 | 3.4 | 10 | 330 | 500 | - | 465 | 470 | 475 | 100 |
| OSG5TA7WA3B | Pure Green | PG | - | 2.9 | 3.4 | 10 | 1120 | 1560 | - | 520 | 525 | 530 | 100 |
| OSG8HA7WA3B | Yellow Green | YG | - | 2.1 | 2.6 | 10 | 150 | 220 | - | 565 | 570 | 575 | 100 |
| OSY5JA7WA3B | Yellow | Y | - | 2.1 | 2.6 | 10 | 330 | 500 | - | 585 | 590 | 595 | 100 |
| OSO5JA7WA3B | Orange | O | - | 2.1 | 2.6 | 10 | 330 | 500 | - | 600 | 605 | 610 | 100 |
| OSR5JA7WA3B | Red | R | - | 2.1 | 2.6 | 10 | 330 | 500 | - | 620 | 625 | 630 | 100 |

*1 Tolerance of measurements of dominant wavelength is ±1nm

*2 Tolerance of measurements of chromaticity coordinate is ±10%

*3 Tolerance of measurements of luminous intensity is ±15%

*4 Tolerance of measurements of forward voltage is ±0.1V