

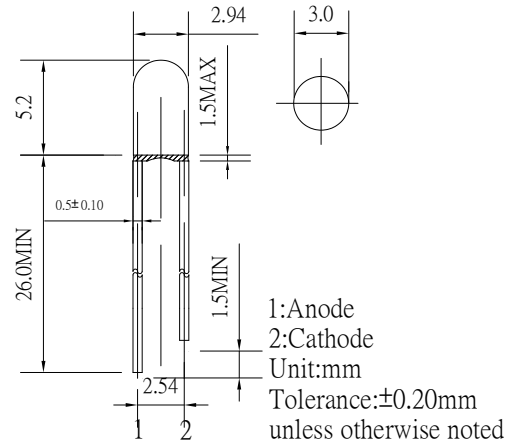
■Features

- High Luminous LED
- 3mm Round Standard Directivity
- Long Lifetime Operation
- Superior UV Resistance
- Water Clear Type

■Applications

- Electronic Signs and Signals
- Small Area Illuminations
- Back Lighting
- Other Lighting

■Outline Dimension



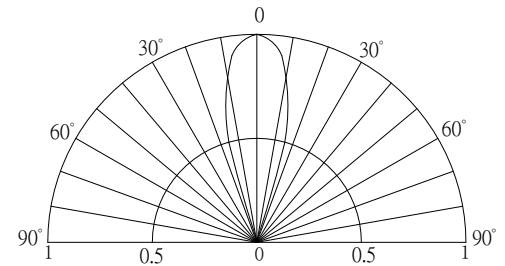
■Absolute Maximum Rating

(Ta=25°C)

Item	Symbo l	Value		Unit
		W/M/B/PG	Y/O/R	
DC Forward Current	I _F	30	30	mA
Pulse Forward Current*	I _{FP}	100	100	mA
Reverse Voltage	V _R	5	5	V
Power Dissipation	P _D	102	78	mW
Operating Temperature	Topr	-30 ~ +85		°C
Storage Temperature	Tstg	-40 ~ +100		°C
Lead Soldering Temperature	Tsol	260°C/5sec		-

*Pulse width Max 0.1ms, Duty ratio max 1/10

■Directivity



■Electrical -Optical Characteristics

(Ta=25°C)

Part Number	Color		V _F (V)*			I _R (μA)	I _v (mcd)*			λD (nm)*			2θ1/2(deg)
			Min.	Typ.	Max.	Max.	Min.	Typ.	Max.	Min.	Typ.	Max.	Typ.
			I _F =20mA			V _R =5V	I _F =20mA						
OSW5DK3E31B	White	W	-	2.9	3.4	10	7000	8400	-	*CCT: 8500-18000K			30
OSM5DK3E31B	Warm White	M	-	2.9	3.4	10	5800	7000	-	*CCT: 2700-3200K			30
OSB5SA3E31B	Blue	B	-	2.9	3.4	10	2180	3000	-	465	470	475	30
OSG5DA3E31B	Pure Green	PG	-	2.9	3.4	10	8400	10000	-	520	525	530	30
OSY5RU3E31B	Yellow	Y	-	2.1	2.6	10	1120	1560	-	585	590	595	30
OSY5PA3E31B	Yellow	Y	-	2.1	2.6	10	5800	7000	-	585	590	595	30
OSO5JA5E31B	Orange	O	-	2.1	2.6	10	1120	1560	-	600	605	610	30
OSO5PA5E31B	Orange	O	-	2.1	2.6	10	5800	7000	-	600	605	610	30
OSR5RU3E31B	Red	R	-	2.1	2.6	10	1120	1560	-	620	625	630	30
OSR5PA3E31B	Red	R	-	2.1	2.6	10	5800	7000	-	620	625	630	30

*1 Tolerance of measurements of domi. wavelength is ±1nm

*2 Tolerance of measurements of chromaticity coordinates is ±10%

*3 Tolerance of measurements of luminous intensity is ±15%

*4 Tolerance of measurements of forward voltage is ±0.1V