

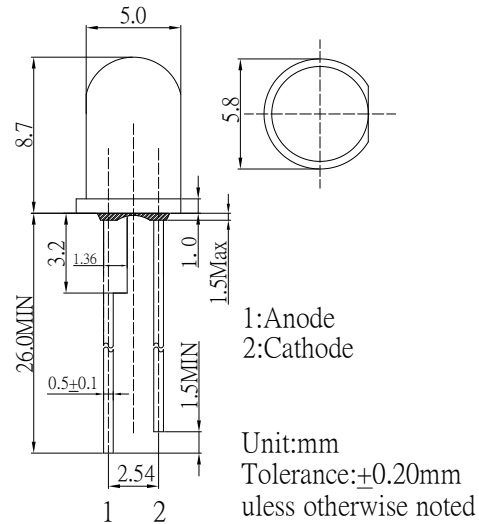
**■Features**

- High Luminous LEDs
- 5mm Round Standard Directivity
- UV Resistant Epoxy
- Water Clear Type

**■Applications**

- Traffic Signal
- Backlighting
- Signal and channel letter
- Other Lighting

**■Outline Dimension**

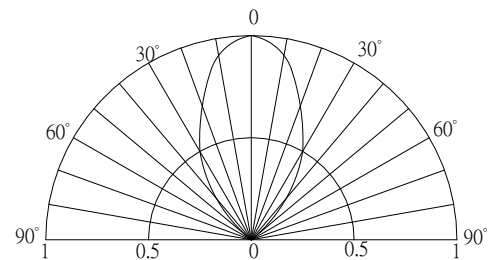


**■Absolute Maximum Rating (Ta=25°C)**

Item	Symbol	Value	Unit
DC Forward Current	I <sub>F</sub>	70	mA
Pulse Forward Current#	I <sub>FP</sub>	120	mA
Reverse Voltage	V <sub>R</sub>	5	V
Power Dissipation	P <sub>D</sub>	182	mW
Operating Temperature	Topr	-40~+85	°C
Storage Temperature	Tstg	-40 ~ +100	°C
Lead Soldering Temperature	Tsol	260°C/5sec	-

#Pulse width Max.10ms , Duty ratio max 1/10

**■Directivity**



**■Electrical -Optical Characteristics (Ta=25°C)**

Item	Symbol	Condition	Min.	Typ.	Max.	Unit
DC Forward Voltage*1	V <sub>F</sub>	I <sub>F</sub> =60mA	1.8	2.2	2.6	V
DC Reverse Current	I <sub>R</sub>	V <sub>R</sub> =5V	-	-	10	μA
Domi. Wavelength*2	λ <sub>D</sub>	I <sub>F</sub> =60mA	620	625	630	nm
Luminous Intensity*3	I <sub>v</sub>	I <sub>F</sub> =60mA	40000	48000	-	mcd
50% Power Angle	2θ <sub>1/2</sub>	I <sub>F</sub> =60mA	-	60	-	deg

\*1 Tolerance of measurements of forward voltage is ±0.1V

\*2 Tolerance of measurements of Domi. wavelength is ±1nm

\*3 Tolerance of measurements of luminous intensity is ±15%

**AlGaInP LED**

**TYPICAL ELECTRICAL/OPTICAL CHARACTERISTIC CURVES**

