

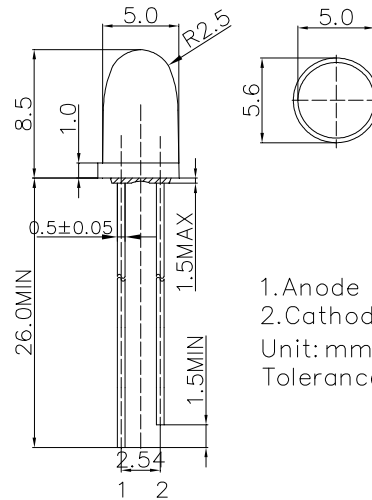
■Features

- High Luminous LEDs
- 5mm Bullet Standard Directivity
- Long Lifetime Operation
- UV Resistant Epoxy
- Water Clear Type

■Applications

- Electronic Signs And Signals
- Small Area Illuminations
- Back Lighting
- Other Lighting

■Outline Dimension

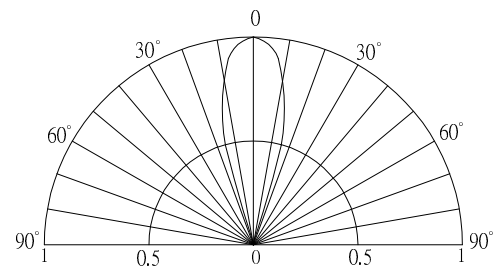


1. Anode
2. Cathode
Unit: mm
Tolerance: ±0.20mm

■Absolute Maximum Rating (Ta=25°C)

Item	Symbol	Value		Unit
		W/M/B/G	Y/O/R	
DC Forward Current	I _F	30	30	mA
Pulse Forward Current#	I _{FP}	100	100	mA
Reverse Voltage	V _R	5	5	V
Power Dissipation	P _D	102	78	mW
Operating Temperature	Topr	-40 ~ +85		°C
Storage Temperature	Tstg	-40 ~ +85		°C
Lead Soldering Temperature	Tsol	260°C/5sec		-

■Directivity



#Pulse width Max 0.1ms, Duty ratio max 1/10

■Electrical -Optical Characteristics (Ta=25°C)

Part Number	Color		V _F (V)*			I _R (μA)	I _V (mcd)*			λD(nm)*			2θ1/2(deg)
			Min.	Typ.	Max.	Max.	Min.	Typ.	Max.	Min.	Typ.	Max.	Typ.
			I _F =20mA			V _R =5V	I _F =20mA						
OSW44K6231A	Pure White	W	-	2.9	3.4	10	14400	18000	-	X=0.31, Y=0.32			30
OSM54K6231A	Warm White	M	-	2.9	3.4	10	12000	14400	-	X=0.45, Y=0.41			30
OSB5SA6231A	Blue	B	-	2.9	3.4	10	4200	5800	-	465	470	475	30
OSG5DA6231A	Pure Green	G	-	2.9	3.4	10	14400	18000	-	520	525	530	30
OSY5PA6231A	Yellow	Y	-	2.1	2.6	10	5800	7000	-	585	590	595	30
OSO5PA6231A	Orange	O	-	2.1	2.6	10	5800	7000	-	600	605	610	30
OSR5PA6231A	Red	R	-	2.1	2.6	10	5800	7000	-	620	625	630	30

*1 Tolerance of measurements of chromaticity coordinate is ±10%
 *2 Tolerance of measurements of dominant wavelength is ±1nm
 *3 Tolerance of measurements of luminous intensity is ±15%
 *4 Tolerance of measurements of forward voltage is ±0.1V