

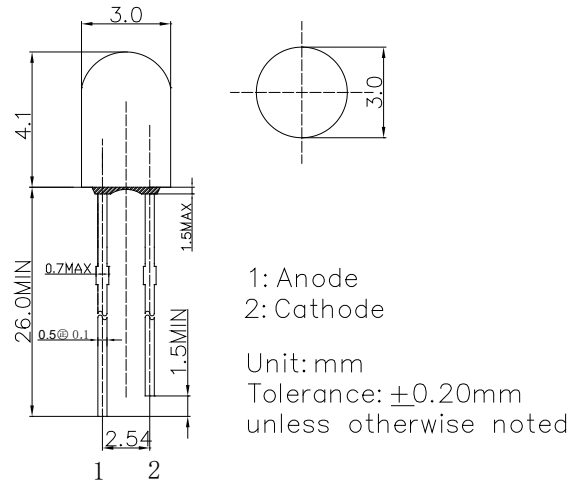
■ Features

- High Luminous LEDs
- 3mm Round Standard Directivity
- UV Resistant Epoxy
- Color Diffused / White Diffused (W,M only)

■ Applications

- Indication & Decoration
- Games & Toys
- Back Lighting

■ Outline Dimension

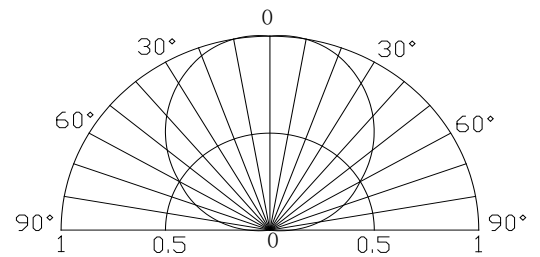


■ Absolute Maximum Rating

($T_a=25^\circ\text{C}$)

Item	Symbol	Value		Unit
		W/M/B/PG	YG/Y/O/R	
DC Forward Current	I_F	30	30	mA
Pulse Forward Current#	I_{FP}	100	100	mA
Reverse Voltage	V_R	5	5	V
Power Dissipation	P_D	102	78	mW
Operating Temperature	T_{opr}	-30 ~ +85		$^\circ\text{C}$
Storage Temperature	T_{stg}	-40 ~ +100		$^\circ\text{C}$
Lead Soldering Temperature	T_{sol}	260 $^\circ\text{C}$ /5sec		-

■ Directivity



#Pulse width Max.10ms Duty ratio max 1/10

■ Electrical -Optical Characteristics

($T_a=25^\circ\text{C}$)

Part Number	Color		V_F (V)*			I_R (μA)	I_v (mcd)*			W_d (nm)* / CCT*			2 θ 1/2(deg)
			Min.	Typ.	Max.		Max.	Min.	Typ.	Max.	Min.	Typ.	
			$I_F=20\text{mA}$			$V_R=5\text{V}$			$I_F=20\text{mA}$				
OSW5YK37C2B	Cool White	W	-	2.9	3.4	10	500	750	-	CCT:8500-18000K			120
OSM5YK37C2B	Warm White	M	-	2.9	3.4	10	500	750	-	CCT:2700-3200K			120
OSB5YU37C4B	Blue	B	-	2.9	3.4	10	150	220	-	465	470	475	120
OSG5TA37C4B	Pure Green	PG	-	2.9	3.4	10	500	750	-	520	525	530	120
OSG8HA37C4B	Yellow Green	YG	-	2.1	2.6	10	68	100	-	565	570	575	120
OSY5JA37C4B	Yellow	Y	-	2.1	2.6	10	120	150	-	585	590	595	120
OSO5JA37C4B	Orange	O	-	2.1	2.6	10	120	150	-	600	605	610	120
OSR5JA37C4B	Red	R	-	2.1	2.6	10	120	150	-	620	625	630	120

*1 Tolerance of measurements of chromaticity coordinate/CCT is $\pm 10\%$

*2 Tolerance of measurements of dominant wavelength is $\pm 1\text{nm}$

*3 Tolerance of measurements of luminous intensity is $\pm 15\%$

*4 Tolerance of measurements of forward voltage is $\pm 0.1\text{V}$