

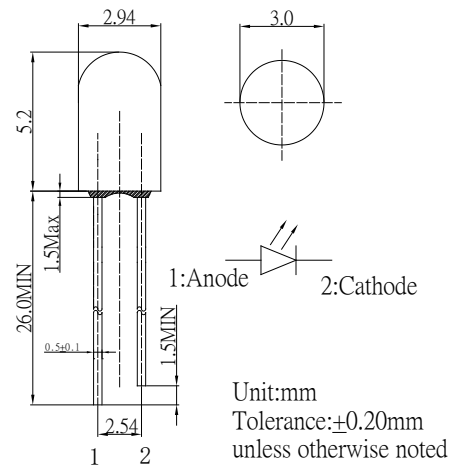
■ **Features**

- High Luminous LEDs
- 3mm Round Standard Directivity
- UV Resistant Epoxy
- Color Diffused / White Diffused (W, M only)

■ **Applications**

- Indication & Decoration
- Games & Toys
- Back Lighting

■ **Outline Dimension**

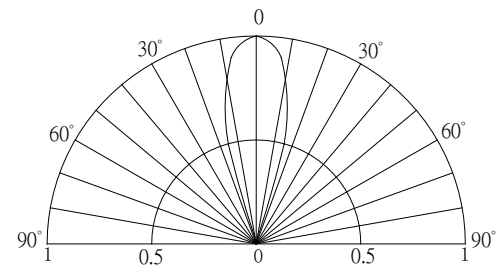


■ **Absolute Maximum Rating**

(Ta=25°C)

Item	Symbol	Value		Unit
		W/M/B/PG	YG/Y/O/R	
DC Forward Current	I _F	30	30	mA
Pulse Forward Current#	I _{FP}	100	100	mA
Reverse Voltage	V _R	5	5	V
Power Dissipation	P _D	108	78	mW
Operating Temperature	T _{opr}	-30 ~ +85		°C
Storage Temperature	T _{stg}	-40 ~ +100		°C
Lead Soldering Temperature	T _{sol}	260°C/5sec		-

■ **Directivity**



#Pulse width Max.10ms Duty ratio max 1/10

■ **Electrical -Optical Characteristics**

(Ta=25°C)

Part Number	Color		V _F (V)*			I _R (μA)	I _v (mcd)*			W _d (nm)*			2θ1/2(deg)
			Min.	Typ.	Max.		Max.	Min.	Typ.	Max.	Min.	Typ.	
			I _F =20mA			V _R =5V			I _F =20mA				
OSW4YK3E32B	White	W	-	3.1	3.6	10	750	1120	-	X:0.31,Y:0.33			30
OSM5YK3E32B	Warm White	M	-	3.1	3.6	10	750	1120	-	X:0.45,Y:0.41			30
OSB5YU3E34B	Blue	B	-	3.1	3.6	10	220	330	-	465	470	475	30
OSG5TA3E34B	Pure Green	PG	-	3.1	3.6	10	750	1120	-	520	525	530	30
OSG8HA3E34B	Yellow Green	YG	-	2.1	2.6	10	120	200	-	565	570	575	30
OSY5JA3E34B	Yellow	Y	-	2.1	2.6	10	200	300	-	585	590	595	30
OSO5JA3E34B	Orange	O	-	2.1	2.6	10	200	300	-	600	605	610	120
OSR5JA3E34B	Red	R	-	2.1	2.6	10	150	220	-	620	625	630	30

*1 Tolerance of measurements of chromaticity coordinate is ±10%

*2 Tolerance of measurements of dominant wavelength is ±1nm

*3 Tolerance of measurements of luminous intensity is ±15%

*4 Tolerance of measurements of forward voltage is ±0.1V