

■ Features

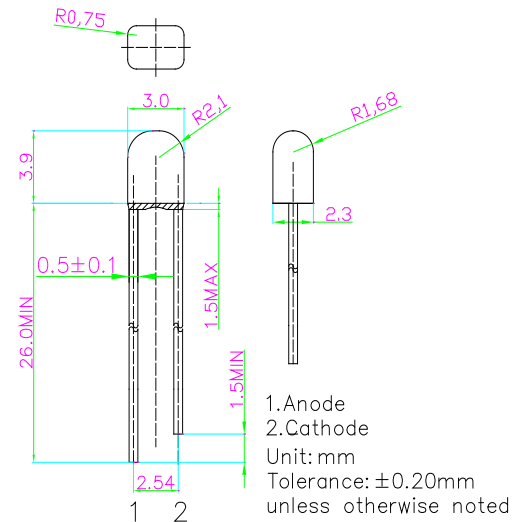
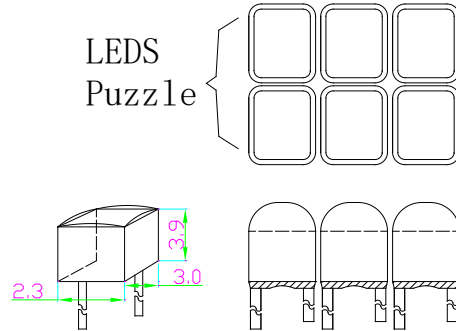
- High luminous Intensity
- Can be combined into different puzzle patterns
- UV resistant epoxy
- Color Transparent type

■ Applications

- LED light display
- Decorative lamps
- Creative DIY lights
- Toys & Games

■ Outline Dimension

■ Combination Reference



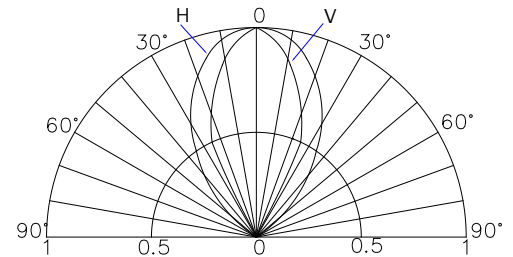
■ Absolute Maximum Rating

(Ta=25°C)

Item	Symbol	Value		Unit
		B/PG	Y/O/R	
DC Forward Current	I _F	30	30	mA
Pulse Forward Current#	I _{FP}	100	100	mA
Reverse Voltage	V _R	5	5	V
Power Dissipation	P _D	102	78	mW
Operating Temperature	T _{opr}	-30 ~ +85		°C
Storage Temperature	T _{stg}	-40 ~ +100		°C
Lead Soldering Temperature	T _{sol}	260°C /5sec		-






#Pulse width Max 0.1ms, Duty ratio max 1/10

■ Directivity



■ Electrical -Optical Characteristics

(Ta=25°C)

Part Number	Color			V _F (V)*			I _R (μA) Max.	I _v (mcd)*			λ _D (nm)/CCT(K)*			2θ1/2(deg) Typ.(H/V)
				Min.	Typ.	Max.		Min.	Typ.	Max.	Min.	Typ.	Max.	
				I _F =20mA				V _R =5V			I _F =20mA			
OSB5DA6F73B	Blue	B		-	2.9	3.4	10	1120	1560	-	465	470	475	70/50
OSG58A6F73B	Pure Green	PG		-	2.9	3.4	10	3000	4200	-	520	525	530	70/50
OSY5PA6F73B	Yellow	Y		-	2.1	2.6	10	1120	1560	-	585	590	595	70/50
OSO5PA6F73B	Orange	O		-	2.1	2.6	10	1120	1560	-	600	605	610	70/50
OSR5PA6F73B	Red	R		-	2.1	2.6	10	1120	1560	-	620	625	630	70/50

*1 Tolerance of measurements of dominant wavelength is ±1nm

*2 Tolerance of measurements of chromaticity coordinate is ±10%

*3 Tolerance of measurements of luminous intensity is ±15%

*4 Tolerance of measurements of forward voltage is ±0.1V

LED & Application Technologies

