

CURRENT REGULATIVE LED

CRLED

- CRLED is LED which supplies constant current to keep LED Intensity Consistency even when power supply voltage fluctuations or load impedance fluctuations occur.
- CRLED is used with current stabilization and current limiting

■Features

- High Luminous LEDs / 5mm Cylinder Standard Directivity
- UV Resistant Epoxy
- Water Clear Type

■Absolute Maximum Rating

(Ta=25°C)

Item	Symbol	Value	Unit
DC Forward Voltage	V _F	20	V
Power Dissipation	P _D	320	mW
Operating Temperature	Topr	-30 ~ +85	°C
Storage Temperature	Tstg	-40 ~ +100	°C
Lead Soldering Temperature	Tsol	260°C/5sec	-

■Electrical -Optical Characteristics

(Ta=25°C)

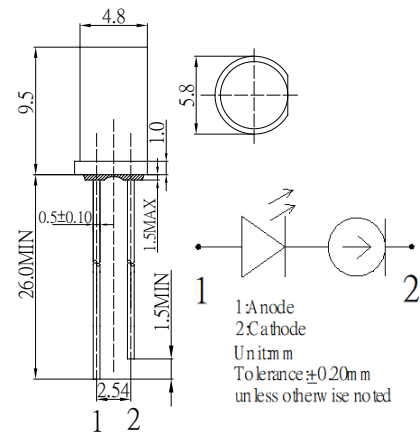
Part Number	Color	V _F (V)		I _F (mA)			I _R (μA)	I _v (mcd)*			λD(nm)*			2θ1/2(deg)
		Min.	Max.	Min.	Typ.	Max.	Max..	Min.	Typ.	Max.	Min.	Typ.	Max.	Typ.
		V _F =12V			V _R =8V			V _F =12V						
OSW5DK5T51A-CRLED14	White	5.5	20	-	14	-	10	-	5800	-	X=0.27, Y=0.28			50
OSM5DK5T51A-CRLED14	Warm White	5.5	20	-	14	-	10	-	5000	-	X=0.45, Y=0.41			50
OSB64L5AT51A-CRLED14	Ice Blue	5.5	20	-	14	-	10	-	5500	-	X=0.19, Y=0.29			50
OSB5SA5T51A-CRLED14	Blue	5.5	20	-	14	-	10	-	3000	-	465	470	475	50
OSG5DA5T51A-CRLED14	Pure Green	5.5	20	-	14	-	10	-	5800	-	520	525	530	50
OSY5PA5T51A-CRLED14	Yellow	5	20	-	14	-	10	-	3500	-	585	590	595	50
OSO5PA5T51A-CRLED14	Orange	5	20	-	14	-	10	-	4200	-	600	605	610	50
OSR5PA5T51A-CRLED14	Red	5	20	-	14	-	10	-	3500	-	620	625	630	50

- *1 Tolerance of measurements of chromaticity coordinate is ±10%
- *2 Tolerance of measurements of dominant wavelength is ±1nm
- *3 Tolerance of measurements of luminous intensity is ±15%
- *4 Tolerance of measurements of forward voltage is ±0.1V

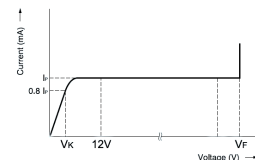
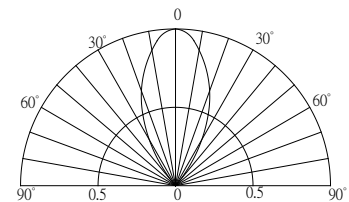
■Applications

- Electronic Signs And Signals/ Small Area Illuminations
- Back Lighting/ Toys/ Other Lighting

■Outline Dimension



■Directivity

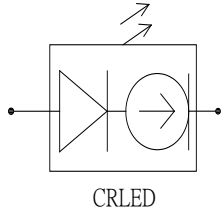


Explanation of terms
I_p Pinch-off current at 12V
V_k Voltage which produces 0.8Ip or greater current
V_r Breakdown voltage

Current Regulative LED
5mm Cylinder LED
OSXXX5T51A-CRLED14

■ **Typical Applications**

1 : Single LED



2 : Multi- LEDs in series

