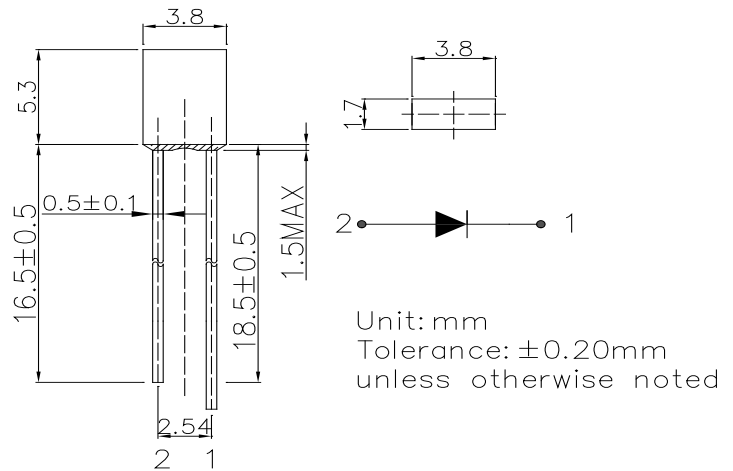


■Features

- Miniature size
- Built-in exclusive IC
- Wide half angle & long reception distance
- Good noise-proof capability
- High immunity against ambient light
- Side view

■Outline Dimension



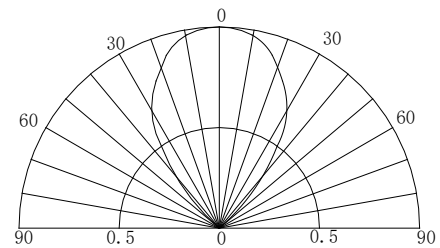
■Applications

- Oximeter receiver
- Medical instrumentation
- Radiometric instruments

■Absolute Maximum Rating (Ta=25°C)

Parameter	Symbol	Ratings	Unit
Power Dissipation	PD	100	mW
Reverse Voltage	V _R	5	V
Operating Temperature	T _{opr}	-30~+80	°C
Storage Temperature	T _{stg}	-40~+80	°C
Lead Soldering Temperature	T _{sol}	260°C/5sec	-

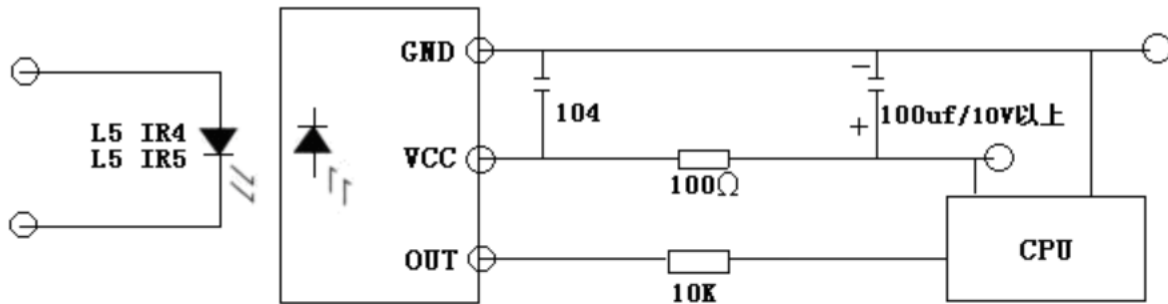
■Directivity



■Electrical -Optical Characteristics (Ta=25°C)

Item	Symbol	Condition	Min.	Typ.	Max.	Unit
Supply Voltage	V _{cc}		1.5	-	5.0	V
Reception Distance	d		10	-	15	m
Reverse Breakdown Voltage	V(BR)	IR=100uA, Ee=0mW/cm ²	20	--	40	V
Reverse Dark Current	I _D	VR=10V, Ee=0mW/cm ²	--	2	10	nA
Short Circuit Current	I _{sc}	EV=100Lus λp=940nm	2.5	3.0	3.5	uA
Rise Time	T _r	VR=20V, λ=940nm RL=50Ω	--	30	--	nS
Fall Time	T _f	VR=20V, λ=940nm RL=50Ω	--	30	--	nS
Forward Voltage	V _F	IF=1mA	0.5	--	1.3	V
Peak Sensing Wavelength	λ _p		-	940	-	nm
Spectral Sensitivity	λ	Spectral Sensitivity	400	-	1050	nm
Total Capacitance	C _T	VR=5V, f=1MHZ Ee=0 mW/cm ²	--	44	--	PF

■ Application Circuit Diagram



■ Schematic Diagram

