

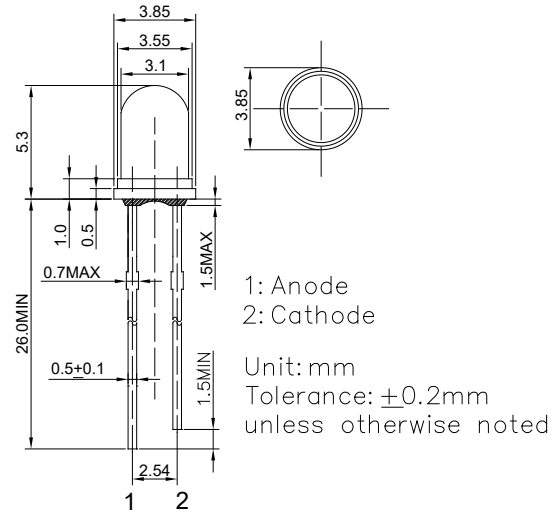
**■Features**

- High Luminous LED
- 3mm Round Standard Directivity
- Long Lifetime Operation
- Superior UV Resistance
- Color Diffused / White Diffused (W, M only)

**■Applications**

- General Purpose Indicators
- Decorations
- Toys & Games
- General Use

**■Outline Dimension**

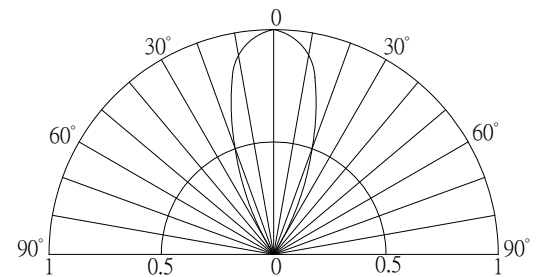


**■Absolute Maximum Rating**

(Ta=25°C)

Item	Symbo l	Value		Unit
		W/M/B/PG	YG/Y/O/R	
DC Forward Current	I <sub>F</sub>	30	30	mA
Pulse Forward Current#	I <sub>FP</sub>	100	100	mA
Reverse Voltage	V <sub>R</sub>	5	5	V
Power Dissipation	P <sub>D</sub>	102	78	mW
Operating Temperature	Topr	-30 ~ +85		°C
Storage Temperature	Tstg	-40 ~ +100		°C
Lead Soldering Temperature	Tsol	260°C/5sec		-

**■Directivity**



#Pulse width Max 0.1ms, Duty ratio max 1/10

**■Electrical -Optical Characteristics**

(Ta=25°C)

Part Number	Color		V <sub>F</sub> (V)*			I <sub>R</sub> (μA)	I <sub>v</sub> (mcd)*			λD (nm)*			2θ1/2(deg)
			Min.	Typ.	Max.	Max.	Min.	Typ.	Max.	Min.	Typ.	Max.	Typ.
			I <sub>F</sub> =20mA			V <sub>R</sub> =5V		I <sub>F</sub> =20mA					
OSW5YK3M42A	White	W	-	2.9	3.4	10	750	1120	-	*CCT: 8500-18000K			40
OSM5YK3M42A	Warm White	M	-	2.9	3.4	10	750	1120	-	*CCT: 2700-3200K			40
OSB5YU3M44A	Blue	B	-	2.9	3.4	10	330	500	-	465	470	475	40
OSG5TA3M44A	Pure Green	PG	-	2.9	3.4	10	750	1120	-	520	525	530	40
OSG8HA3M44A	Yellow Green	YG	-	2.1	2.6	10	150	220	-	565	570	575	40
OSY5JA3M44A	Yellow	Y	-	2.1	2.6	10	220	330	-	585	590	595	40
OSO5JA3M44A	Orange	O	-	2.1	2.6	10	220	330	-	600	605	610	40
OSR5JA3M44A	Red	R	-	2.1	2.6	10	220	330	-	620	625	630	40

\*1 Tolerance of measurements of domi. wavelength is ±1nm

\*2 Tolerance of measurements of chromaticity coordinates is ±10%

\*3 Tolerance of measurements of luminous intensity is ±15%

\*4 Tolerance of measurements of forward voltage is ±0.1V

**LED & Application Technologies**

