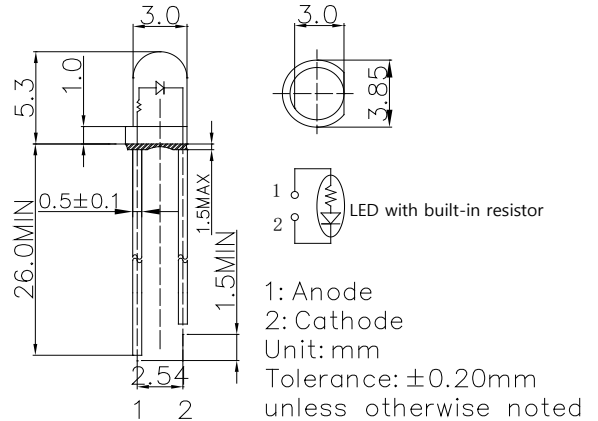


**■Description**

This LED builds with internal resistor to operate with wide operation voltage of DC3-15V.

**■Outline Dimension**



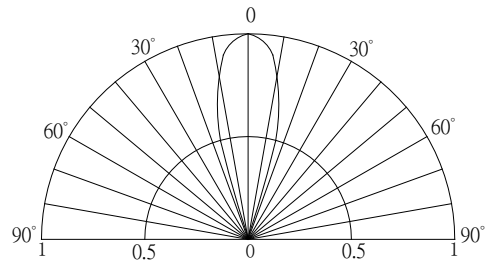
**■Features**

- Wide Input Voltage
- Cost Saving and Space Saving
- Water Clear Type
- Single Color

**■Applications**

- Toys/Game/Audio
- TTL/Cmos Compatible
- Arduino/Pi Pico/Steam Kit
- Other Electronics Products

**■Directivity**

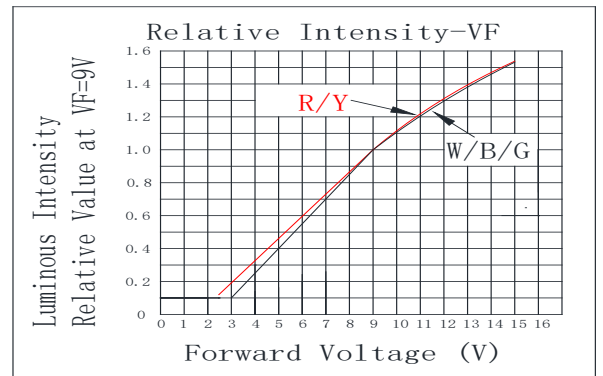


**■Absolute Maximum Rating**

(Ta=25°C)

Item	Symbol	Value	Unit
DC Forward Voltage	V <sub>F</sub>	15	V
Reverse Voltage	V <sub>R</sub>	12	V
Power Dissipation	P <sub>D</sub>	190	mW
Operating Temperature	Topr	-30 ~ +85	°C
Storage Temperature	Tstg	-40 ~ +100	°C
Lead Soldering Temperature	Tsol	260°C/5sec	-

**■Optical Characteristic Curves**



**■Electrical -Optical Characteristics**

(Ta=25°C)

3mm Multi-Voltage LED						
<b>LED P/N</b>	OSR53131A-VV	OSY53131A-VV	OSB53131A-VV	OSG53131A-VV	OSM53131A-VV	OSW53131A-VV
<b>Light Color</b>	Red	Yellow	Blue	Pure Green	Warm White	Cool White
<b>Lens Color</b>	Water Clear	Water Clear	Water Clear	Water Clear	Water Clear	Water Clear
<b>Wavelength*1/Color Temperature*2</b>	620-630nm	585-595nm	465-475m	520-530nm	2700-3300K	8500-18000K
<b>Luminous Intensity(typ.)*3</b>	2180mcd	2180mcd	1560mcd	4200mcd	4200mcd	4200mcd
<b>Forward Voltage(typ.)</b>	9V	9V	9V	9V	9V	9V
<b>Forward Current(typ.)</b>	8mA	8mA	7.5mA	7.5mA	7.5mA	7.5mA
<b>Viewing Angle(typ.)</b>	30°	30°	30°	30°	30°	30°

\*1 Tolerance of measurements of dominant wavelength is ±1nm

\*2 Tolerance of measurements of color temperature is ±10%

\*3 Tolerance of measurements of luminous intensity is ±15%