

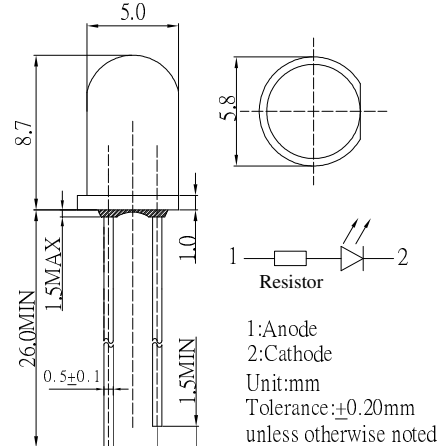
### ■ Features

- High Luminous LEDs
- 5mm Round Standard Directivity
- UV Resistant Epoxy
- Integral Current Limiting Resistor
- TTL Compatible (Requires No External Current Limiter with 5V Supply)
- Cost Effective (Saves Space and Resistor Cost)
- Water Clear Type

### ■ Applications

- Status Indicators
- Other Lighting

### ■ Outline Dimension

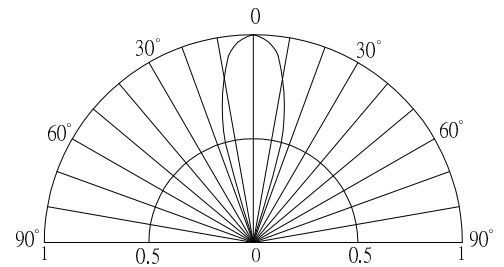


### ■ Absolute Maximum Rating

(Ta=25°C)

Item	Symbol	Value	Unit
DC Forward Voltage	V <sub>F</sub>	7.5	V
Reverse Voltage	V <sub>R</sub>	5	V
Power Dissipation	P <sub>D</sub>	150	mW
Operating Temperature	Topr	-30 ~ +85	°C
Storage Temperature	Tstg	-30 ~ +85	°C
Lead Soldering Temperature	Tsol	260°C / 5sec	-

### ■ Directivity



### ■ Electrical -Optical Characteristics (Ta=25°C)

Part Number	Visual Color	I <sub>F</sub> (mA)*			I <sub>R</sub> (μA)	Radiant flux*(mW)			WP*(nm)			2θ1/2(deg)
		Min	Typ.	Max.	Max.	Min.	Typ.	Max.	Min.	Typ.	Max.	Typ.
		V <sub>F</sub> =5V			V <sub>R</sub> =5V	I <sub>F</sub> =5mA						
OSV1YL5A31A-5V	White	-	12	20	10	1	2.5	-	360	365	370	30
OSV2YL5A31A-5V	White	-	12	20	10	1.5	3.5	-	370	375	380	30
OSV3SL5A31A-5V	Purple	-	12	20	10	4	5	-	380	385	390	30
OSV4DL5A31A-5V	Purple	-	12	20	10	6	8	-	390	395	400	30
OSV5DL5A31A-5V	Purple	-	12	20	10	6	8	-	400	405	410	30

\*1 Tolerance of measurements of Peak wavelength is ±1nm

\*2 Tolerance of measurements of Radiant flux is ±15%

\*3 Tolerance of measurements of Forward voltage is ±0.1V

**LED & Application Technologies**



**REACH**  
The new EU chemicals legislation

ATTENTION  
OBSERVE PRECAUTIONS  
ELECTROSTATIC  
SENSITIVE DEVICES