

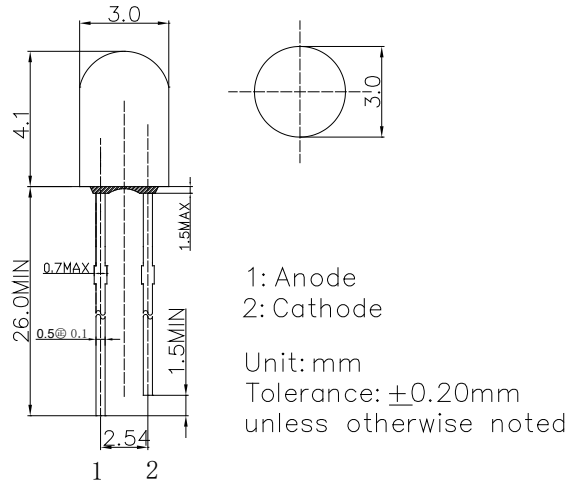
■ **Features**

- High Lumen LEDs
- 3mm Round Standard Directivity
- UV Resistant Epoxy
- Water Clear Type

■ **Applications**

- Traffic signal
- Backlighting
- Signal and channel letter
- Beauty product

■ **Outline Dimension**

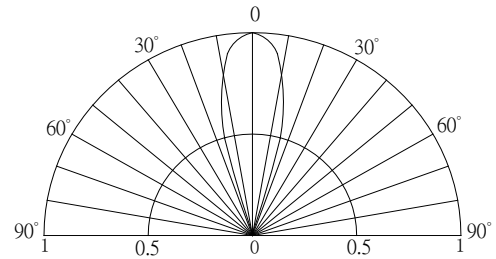


■ **Absolute Maximum Rating**

( $T_a=25^\circ\text{C}$ )

Item	Symbol	Value		Unit
		W/M/B/PG	Y/O/R	
DC Forward Current	$I_F$	30	30	mA
Pulse Forward Current#	$I_{FP}$	100	100	mA
Reverse Voltage	$V_R$	5	5	V
Power Dissipation	$P_D$	102	78	mW
Operating Temperature	$T_{opr}$	-30 ~ +85		$^\circ\text{C}$
Storage Temperature	$T_{stg}$	-40 ~ +100		$^\circ\text{C}$
Lead Soldering Temperature	$T_{sol}$	260 $^\circ\text{C}$ / 5sec		-

■ **Directivity**



#Pulse width Max.10ms Duty ratio max 1/10

■ **Electrical -Optical Characteristics**

( $T_a=25^\circ\text{C}$ )

Part Number	Color			$V_F$ (V)*			$I_R$ ( $\mu\text{A}$ )	$\Phi_V$ (LM)*			$I_v$ (cd)*			$W_d$ (nm)/CCT(K)*			$2\theta_{1/2}$ (deg)
				Min.	Typ.	Max.	Max.	Min.	Typ.	Max.	Min.	Typ.	Max.	Min.	Typ.	Max.	Typ.
				$I_F=30\text{mA}$			$V_R=5\text{V}$			$I_F=30\text{mA}$							
OSW44P3761B	Pure White	W	-	2.9	3.4	10	8.5	10	-	8.4	10	-	5500-8500K(X:0.31,Y:0.33)			60	
OSM54P3761B	Warm White	M	-	2.9	3.4	10	8.5	10	-	8.4	10	-	2700-3200K(X:0.44,Y:0.41)			60	
OSB56P3761B	Blue	B	-	2.9	3.4	10	2.5	3.0	-	2.18	3.0	-	465	470	475	60	
OSG5GP3761B	Pure Green	PG	-	2.9	3.4	10	8.5	10	-	10	12	-	520	525	530	60	
OS5YKP3761B	Yellow	Y	-	2.1	2.6	10	3.5	4.5	-	2.18	3.0	-	585	590	595	60	
OS5OKP3761B	Orange	O	-	2.1	2.6	10	3.5	4.5	-	2.18	3.0	-	600	605	610	60	
OS5RKP3761B	Red	R	-	2.1	2.6	10	3.5	4.5	-	2.18	3.0	-	620	625	630	60	

\*1 Tolerance of measurements of chromaticity coordinate/CCT is  $\pm 10\%$

\*2 Tolerance of measurements of dominant wavelength is  $\pm 1\text{nm}$

\*3 Tolerance of measurements of lumen flux is  $\pm 15\%$

\*4 Tolerance of measurements of forward voltage is  $\pm 0.1\text{V}$