

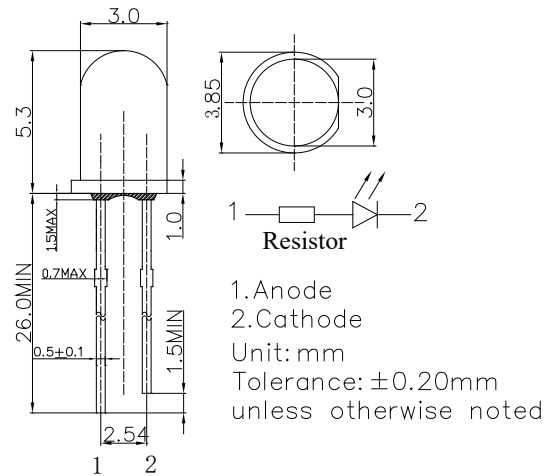
■Features

- High Luminous LEDs
- 3mm Round Standard Directivity
- UV Resistant Epoxy
- Integral Current Limiting Resistor
- TTL Compatible (Requires No External Current Limiter with 12V Supply)
- Cost Effective (Saves Space and Resistor Cost)
- Water Clear Type

■Applications

- Fluid Leak Detection
- Forensic Science/Infection Control
- Counterfeit Detection

■Outline Dimension

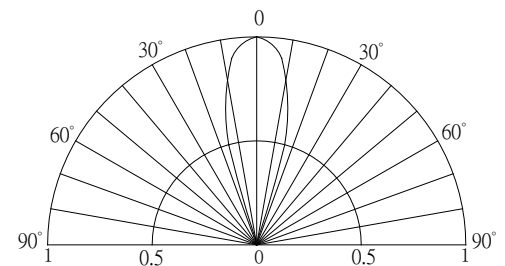


■Absolute Maximum Rating

($T_a=25^\circ\text{C}$)

Item	Symbol	Value	Unit
DC Forward Voltage	V_F	15	V
Reverse Voltage	V_R	5	V
Power Dissipation	P_D	225	mW
Operating Temperature	T_{opr}	$-30 \sim +85$	$^\circ\text{C}$
Storage Temperature	T_{stg}	$-30 \sim +85$	$^\circ\text{C}$
Lead Soldering Temperature	T_{sol}	$260^\circ\text{C}/5\text{sec}$	-

■Directivity



■Electrical -Optical Characteristics ($T_a=25^\circ\text{C}$)

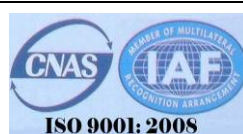
Part Number	Visual Color	I_F (mA)			I_R (μA)	Radiant flux*(mW)			WP*(nm)			2 θ 1/2(deg)
		Min	Typ.	Max.	Max.	Min.	Typ.	Max.	Min.	Typ.	Max.	Typ.
		$V_F=12\text{V}$			$V_R=5\text{V}$	$I_F=20\text{mA}$						
OSV1YL3131A-12V	White	-	10	15	10	1	2.5	-	360	365	370	30
OSV2YL3131A-12V	White	-	10	15	10	1.5	3.5	-	370	375	380	30
OSV3SL3131A-12V	Purple	-	10	15	10	4	5	-	380	385	390	30
OSV4DL3131A-12V	Purple	-	10	15	10	6	8	-	390	395	400	30
OSV5DL3131A-12V	Purple	-	10	15	10	6	8	-	400	405	410	30

*1 Tolerance of measurements of Peak wavelength is $\pm 1\text{nm}$

*2 Tolerance of measurements of Radiant flux is $\pm 15\%$

*3 Tolerance of measurements of Forward voltage is $\pm 0.1\text{V}$

LED & Application Technologies



REACH
The new EU chemicals legislation

ATTENTION
OBSERVE PRECAUTIONS
ELECTROSTATIC
SENSITIVE DEVICES