

■ Features

- High luminous LEDs
- Long lifetime operation
- IC compatible
- Low power dissipation
- Black surface & white segment or dot
- Number of pins:10

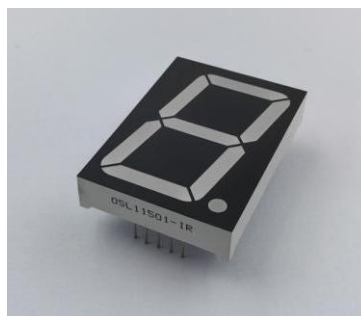
■ Applications

- Counting device
- Clock

■ Absolute Maximum Rating (Ta=25°C)

Item	Symbol	Value		Unit
		RA/R/YG/Y	W/B/G	
DC Forward Current	I _F	20	20	mA
Pulse Forward Current#	I _{FP}	100	100	mA
Reverse Voltage for Per Segment or (Dp)	V _R	10(5)	10(5)	V
Power Dissipation	P _t	112(52)	144(72)	mW
Operating Temperature	T _{opr}	-30 ~ +70		°C
Storage Temperature	T _{stg}	-40 ~ +85		°C
Lead Soldering Temperature(1.6mm from seating plane)	T _{sol}	260°C/5sec		°C

■ Photo



#Pulse width Max.10ms Duty ratio max 1/10

■ Electrical -Optical Characteristics (Ta=25°C)

Part Number	Color		VF (V) Per Segment or (Dp)			I _R (μA) Max.	I _v (mcd)			λD(nm)		
			Min.	Typ.	Max.		Min.	Typ.	Max.	Min.	Typ.	Max.
			I _F =20mA			V _R =10V V _R =5V(Dp)		I _F =20mA				
OSL11501-IW(LW)	White	W	5.6 (2.8)	6.2 (3.1)	7.2 (3.6)	20	-	65	-	X:0.2,7,Y:0.28 (CCT:8500-18000K)		
OSL11501-IB(LB)	Blue	B	5.6 (2.8)	6.2 (3.1)	7.2 (3.6)	20	-	50	-	460	470	475
OSL11501-IG(LG)	Pure Green	G	5.6 (2.8)	6.2 (3.1)	7.2 (3.6)	20	-	200	-	515	525	530
OSL11501-IYG(LYG)	Yellow Green	YG	3.6 (1.8)	4.2 (2.1)	5.2 (2.6)	20	-	12	-	565	570	575
OSL11501-IY(LY)	Yellow	Y	3.6 (1.8)	4.2 (2.1)	5.2 (2.6)	20	-	60	-	585	590	595
OSL11501-IR(LR)	Red	R	3.6 (1.8)	4.2 (2.1)	5.2 (2.6)	20	-	20	-	625	630	640
OSL11501-IRA(LRA)	High Red	RA	3.6 (1.8)	4.2 (2.1)	5.2 (2.6)	20	-	100	-	620	625	630

*1 Tolerance of measurements of chromaticity coordinate is ±10%

*2 Tolerance of measurements of dominant wavelength is ±1nm

*3 Tolerance of measurements of luminous intensity is ±15%

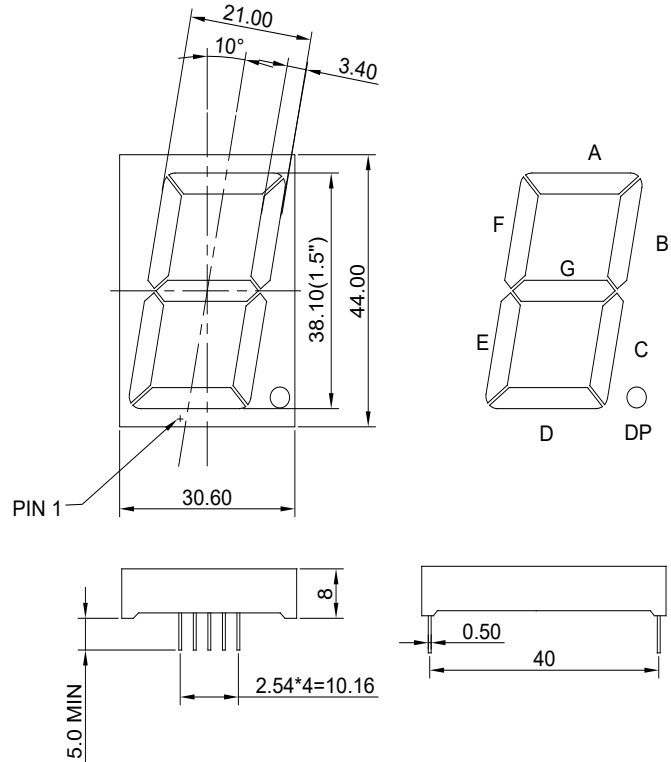
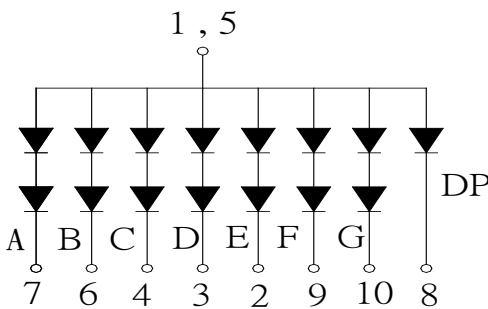
*4 Tolerance of measurements of forward voltage is ±0.1V

■ **Package Dimensions and Pin Function**

**OSL11501-IX
(Common Anode type)**

Note:

- 1, Unit : mm(Tolerance:±0.25mm unless otherwise noted)
- 2, The slope angle of any PIN may be±5.0°Max



**OSL11501-LX
(Common Cathode type)**

Note:

- 1, Unit : mm(Tolerance:±0.25mm unless otherwise noted)
- 2, The slope angle of any PIN may be±5.0°Max

