

0.3 Inch Two Digit Display
OSL20301-IX (Common Anode type)
OSL20301-LX (Common Cathode type)

■ **Features**

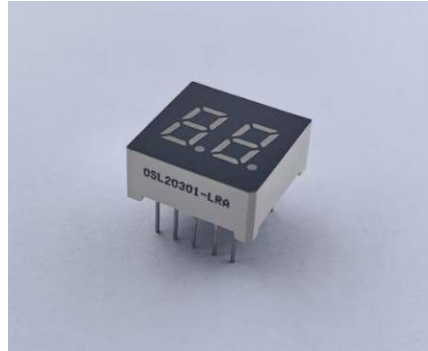
- 0.3 Inch Two Digit Display
- Long lifetime operation
- IC compatible
- Low power dissipation
- Black surface & white segment or dot
- Number of pins:10

■ **Applications**

- Counting device
- Clock

■ **Absolute Maximum Rating** (Ta=25°C)

■ **Photo**



Item	Symbol	Value		Unit
		RA/R/YG/Y	B/G/W	
DC Forward Current	I _F	20	20	mA
Pulse Forward Current#	I _{FP}	100	100	mA
Reverse Voltage	V _R	5	5	V
Power Dissipation	P _t	50	72	mW
Operating Temperature	Topr	-30 ~ +70		°C
Storage Temperature	Tstg	-40 ~ +85		°C
Lead Soldering Temperature(1.6mm from seating plane)	Tsol	260°C/5sec		°C

#Pulse width Max.10ms Duty ratio max 1/10

■ **Electrical -Optical Characteristics** (Ta=25°C)

Part Number	Color		V _F (V)			I _R (μA)	I _v (mcd)			λD(nm)		
			Min.	Typ.	Max.	Max.	Min.	Typ.	Max.	Min.	Typ.	Max.
			I _F =20mA			V _R =5V	I _F =20mA					
OSL20301-IW(LW)	White	W	-	3.3	3.6	20	-	65	-	X:0.2.7,Y0.28 (CCT:8500-18000K)		
OSL20301-IB(LB)	Blue	B	■	3.3	3.6	20	-	50	-	460	465	475
OSL20301-IG(LG)	Pure Green	G	■	3.3	3.6	20	-	200	-	515	525	530
OSL20301-IYG(LYG)	Yellow Green	YG	■	2.2	2.6	20	-	12	-	565	570	575
OSL20301-IY(LY)	Yellow	Y	■	2.1	2.5	20	-	60	-	585	590	595
OSL20301-IR(LR)	Red	R	■	2.1	2.5	20	-	20	-	625	630	640
OSL20301-IRA(LRA)	High Luminance Red	RA	■	2.1	2.5	20	-	100	-	620	625	630

*1 Tolerance of measurements of dominant wavelength is ±1nm

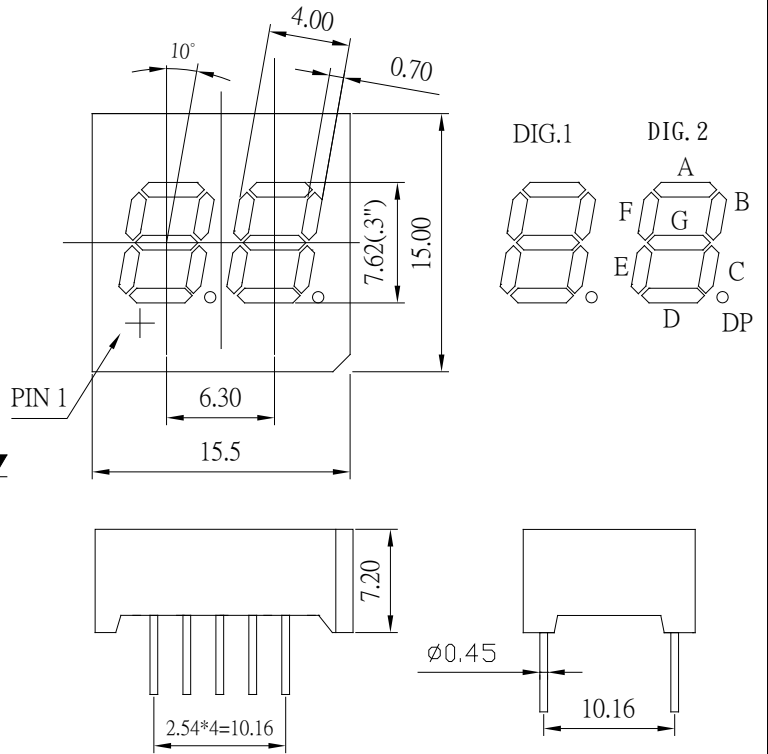
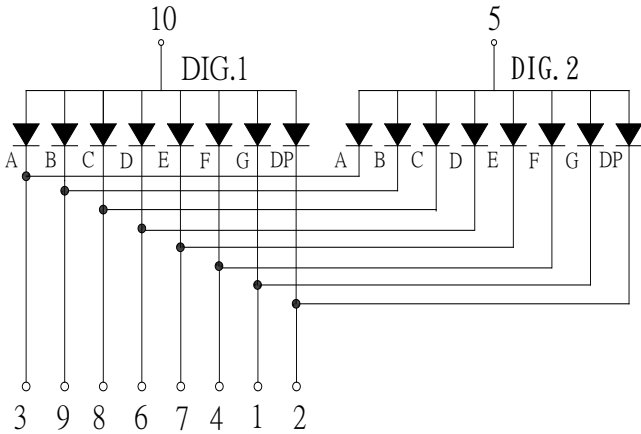
*2 Tolerance of measurements of luminous intensity is ±15%

*3 Tolerance of measurements of forward voltage is ±0.1V

■ **Package Dimensions and Pin Function**

**OSL20301-IX
(Common Anode type)**

Note:
1, Unit : mm (Tolerance: ±0.25mm unless otherwise noted)
2, The slope angle of any PIN may be ±5.0° Max



**OSL20301-LX
(Common Cathode type)**

Note:
1, Unit : mm (Tolerance: ±0.25mm unless otherwise noted)
2, The slope angle of any PIN may be ±5.0° Max

