

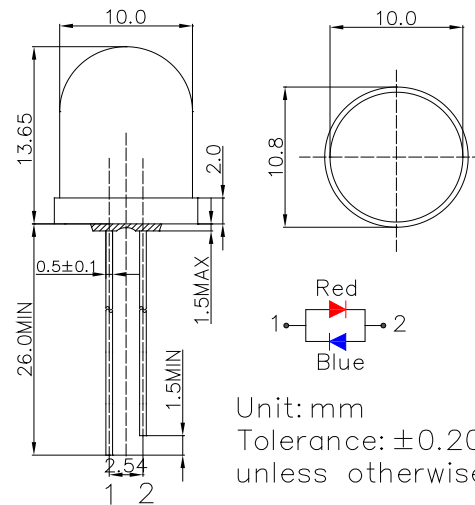
■ Features

- High Luminous LEDs
- 10mm Round Standard Directivity
- Long Lifetime Operation
- UV Resistant Epoxy
- White Diffused Type
- Bi-polar Type

■ Applications

- Toys
- Audio
- Games
- Other Lighting

■ Outline Dimension



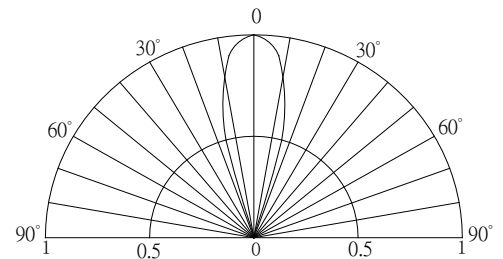
■ Absolute Maximum Rating

($T_a=25^\circ\text{C}$)

| Item | Symbol | Value | | Unit |
|----------------------------|-----------|----------------------------|------|------------------|
| | | Red | Blue | |
| DC Forward Current | I_F | 50 | 30 | mA |
| Pulse Forward Current# | I_{FP} | 100 | 100 | mA |
| Reverse Voltage | V_R | 5 | 5 | V |
| Power Dissipation | P_D | 130 | 102 | mW |
| Operating Temperature | T_{opr} | -30 ~ +85 | | $^\circ\text{C}$ |
| Storage Temperature | T_{stg} | -40 ~ +100 | | $^\circ\text{C}$ |
| Lead Soldering Temperature | T_{sol} | 260 $^\circ\text{C}$ /5sec | | - |

#Pulse width Max.10ms Duty ratio max 1/10

■ Directivity



■ Electrical -Optical Characteristics

($T_a=25^\circ\text{C}$)

| Item | Symbol | Condition | Min. | Typ. | Max. | Unit |
|----------------------|--------------------|-------------------|------|------|------|---------------|
| DC Forward Voltage*1 | V_F (Red) | $I_F=20\text{mA}$ | - | 2.1 | 2.6 | V |
| | V_F (Blue) | $I_F=20\text{mA}$ | - | 2.9 | 3.4 | V |
| DC Reverse Current | I_R | $V_R=5\text{V}$ | - | - | 10 | μA |
| Domi. Wavelength*2 | λ_D (Red) | $I_F=20\text{mA}$ | 620 | 625 | 630 | nm |
| | λ_D (Blue) | $I_F=20\text{mA}$ | 465 | 470 | 475 | nm |
| Luminous Intensity*3 | I_v (Red) | $I_F=20\text{mA}$ | 2180 | 3000 | - | mcd |
| | I_v (Blue) | $I_F=20\text{mA}$ | 1560 | 2180 | - | mcd |
| 50% Power Angle | $2\theta_{1/2}$ | $I_F=20\text{mA}$ | - | 30 | - | deg |

*1 Tolerance of measurements of forward voltage is $\pm 0.1\text{V}$

*2 Tolerance of measurements of dominant wavelength is $\pm 1\text{nm}$

*3 Tolerance of measurements of luminous intensity is $\pm 15\%$