

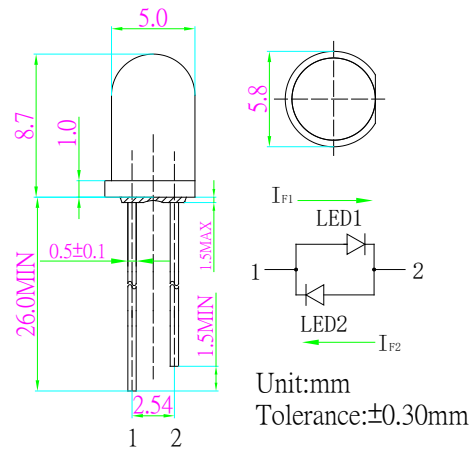
**■Features**

- High Luminous AC LEDs
- 5mm Round Standard Directivity
- Long Lifetime Operation
- UV Resistant Epoxy
- Water Clear Type
- Bi-polar

**■Applications**

- Toys
- Audio
- Games
- Other Lighting

**■Outline Dimension**

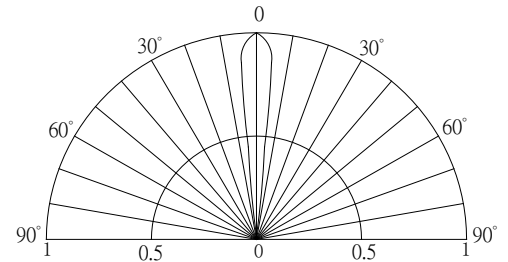


**■Absolute Maximum Rating**

(Ta=25°C)

Item	Symbol	Value		Unit
		W/M/B/PG	YG/Y/O/R	
DC Forward Current	I <sub>F</sub>	30	30	mA
Pulse Forward Current#	I <sub>FP</sub>	100	100	mA
Reverse Voltage	V <sub>R</sub>	5	5	V
Power Dissipation	P <sub>D</sub>	108	78	mW
Operating Temperature	Topr	-30 ~ +85		°C
Storage Temperature	Tstg	-40 ~ +100		°C
Lead Soldering Temperature	Tsol	260°C/5sec		-

**■Directivity**



#Pulse width Max.10ms Duty ratio max 1/10

Part Number	Color			V <sub>F</sub> (V)			I <sub>R</sub> (μA)	I <sub>v</sub> (mcd)			λ <sub>D</sub> (nm)			θ1/2(deg)
				Min.	Typ.	Max.		Min.	Typ.	Max.	Min.	Typ.	Max.	
				I <sub>F</sub> =20mA			V <sub>R</sub> =5V	I <sub>F</sub> =20mA						
OSWWD25111A	Cool White	W		2.8	3.1	3.6		10	12000	14400	-	CCT: 8000-18000K		
OSMMD25111A	Warm White	M	■	2.8	3.1	3.6	10	12000	14400	-	CCT:2700-3200K			15
OSBBS25111A	Blue	B	■	2.8	3.1	3.6	10	5800	7000	-	465	465	475	15
OSGGD25111A	Pure Green	PG	■	2.8	3.1	3.6	10	12000	14400	-	520	525	530	15
OSGGH25111A	Yellow Green	YG	■	1.8	2.1	2.6	10	1120	1560	-	565	570	575	15
OSYYJ25111A	Yellow	Y	■	1.8	2.1	2.6	10	4200	5800	-	585	590	595	15
OSOOJ25111A	Orange	O	■	1.8	2.1	2.6	10	4200	5800	-	600	605	610	15
OSRRJ25111A	Red	R	■	1.8	2.1	2.6	10	4200	5800	-	620	625	630	15

\*1 Tolerance of measurements of forward voltage is ±0.1V

\*2 Tolerance of measurements of dominant wavelength is ±1nm

\*3 Tolerance of measurements of luminous intensity is ±15%

\*4 Tolerance of measurements of color temperature is +10%