

CURRENT REGULATIVE LED

CRLED

- CRLED is LED which supplies constant current to keep LED Intensity Consistency even when power supply voltage fluctuations or load impedance fluctuations occur.

- CRLED is used with current stabilization and current limiting

■Features

- 5mm High Luminous LED
- UV Resistant Epoxy
- Water Clear Type

■Absolute Maximum Rating

(Ta=25°C)

Item	Symbol	Value	Unit
DC Forward Voltage	V _F	20	V
Power Dissipation	P _D	320	mW
Operating Temperature	Topr	-30 ~ +85	°C
Storage Temperature	Tstg	-40 ~ +100	°C
Lead Soldering Temperature	Tsol	260°C/5sec	-

■Electrical -Optical Characteristics

(Ta=25°C)

Part Number	Color	VF(V)*		IF (mA)			IR(μA)	Iv(mcd)*			λD(nm)*			2θ1/2(deg)
		Min	Ma	Min	Typ.	Max.	Max..	Min.	Typ.	Max.	Min.	Typ.	Max.	Typ.
		x.		VF=12V			VR=8V	VF=12V						
OSW5DK5B61A-CRLED14	White	5.5	20	-	14	-	10	-	7000	-	X=0.27, Y=0.28			60
OSM5DK5B61A-CRLED14	Warm White	5.5	20	-	14	-	10	-	5800	-	X=0.45, Y=0.41			60
OSK5DK5B61A-CRLED14	Pink	5.5	20	-	14	-	10	-	1560	-	X=0.45, Y=0.17			60
OSB64L5B61A-CRLED14	Ice Blue	5.5	20	-	14	-	10	-	5800	-	X=0.19, Y=0.29			60
OSB5SA5B61A-CRLED14	Blue	5.5	20	-	14	-	10	-	3000	-	465	470	475	60
OSG5DA5B61A-CRLED14	Pure Green	5.5	20	-	14	-	10	-	7000	-	520	525	530	60
OSY5PA5B61A-CRLED14	Yellow	5.0	20	-	14	-	10	-	3000	-	585	590	595	60
OSO5PA5B61A-CRLED14	Orange	5.0	20	-	14	-	10	-	4200	-	600	605	610	60
OSR5PA5B61A-CRLED14	Red	5.0	20	-	14	-	10	-	3000	-	620	625	630	60

*1 Tolerance of measurements of chromaticity coordinate is ±10%

*2 Tolerance of measurements of dominant wavelength is ±1nm

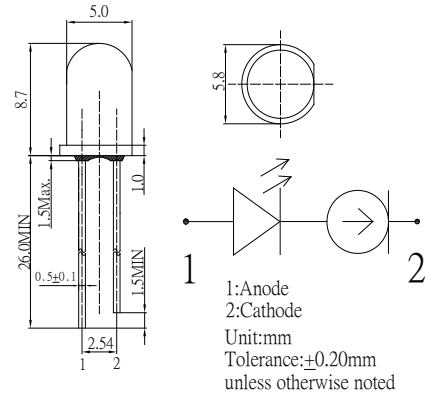
*3 Tolerance of measurements of luminous intensity is ±15%

*4 Tolerance of measurements of forward voltage is ±0.1V

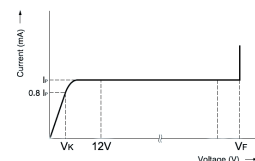
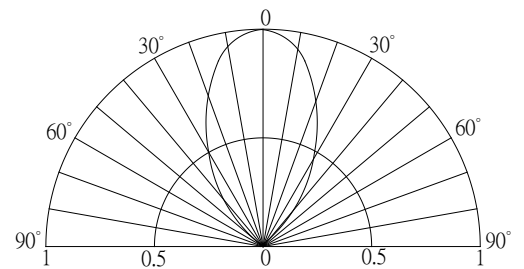
■Applications

- Electronic Signs And Signals/ Small Area Illuminations
- Back Lighting/ Toys/ Other Lighting

■Outline Dimension



■Directivity

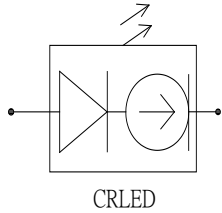


Explanation of terms
I_b: Pinch-off current at 12V
V_b: Voltage which produces 0.8I_b or greater current
V_F: Breakdown voltage

Current Regulative LED
5mm Round LED
OSXXXX5B61A-CRLED14

■ **Typical Applications**

1 : Single LED



2 : Multi- LEDs in series

