

CURRENT REGULATIVE LED

■ Outline Dimension

CRLED

- CRLED is LED which supplies constant current to keep LED Intensity Consistency even when power supply voltage fluctuations or load impedance fluctuations occur.
- CRLED is used with current stabilization and current limiting

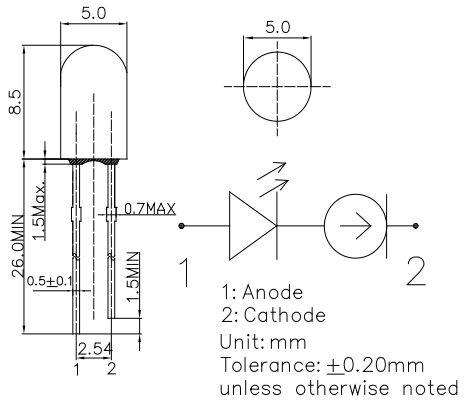
■ Features

- 5mm High Luminous LED
- UV Resistant Epoxy
- Water Clear Type

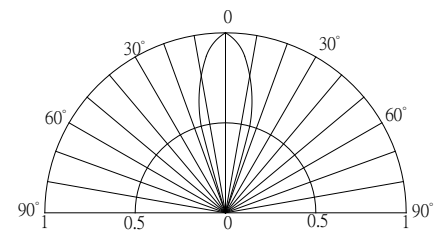
■ Absolute Maximum Rating

(Ta=25°C)

Item	Symbol	Value	Unit
DC Forward Voltage	V _F	20	V
Power Dissipation	P _D	320	mW
Operating Temperature	T _{opr}	-30 ~ +85	°C
Storage Temperature	T _{stg}	-40 ~ +100	°C
Lead Soldering Temperature	T _{sol}	260°C/5sec	-



■ Directivity



■ Electrical -Optical Characteristics

(Ta=25°C)

Part Number	Color	V _F (V)		I _F (mA)			I _R (μA)	I _v (mcd)*			λD(nm)*			2θ1/2(deg)
		Min	Max	Min	Typ.	Max.	Max..	Min.	Typ.	Max.	Min.	Typ.	Max.	Typ.
OSW5DK5E31B-CRLED14	White	5.5	20	-	14	-	10	-	12000	-	X=0.27, Y=0.28			30
OSM5DK5E31B-CRLED14	Warm White	5.5	20	-	14	-	10	-	8000	-	X=0.45, Y=0.41			30
OSK5DK5E31B-CRLED14	Pink	5.5	20	-	14	-	10	-	2500	-	X=0.45, Y=0.17			30
OSB64L5E31B-CRLED14	Ice Blue	5.5	20	-	14	-	10	-	12000	-	X=0.19, Y=0.29			30
OSB5SA5E31B-CRLED14	Blue	5.5	20	-	14	-	10	-	6500	-	465	470	475	30
OSG5DA5E31B-CRLED14	Pure Green	5.5	20	-	14	-	10	-	12000	-	520	525	530	30
OSY5PA5E31B-CRLED14	Yellow	5.0	20	-	14	-	10	-	7500	-	585	590	595	30
O5O5PA5E31B-CRLED14	Orange	5.0	20	-	14	-	10	-	7500	-	600	605	610	30
OSR5PA5E31B-CRLED14	Red	5.0	20	-	14	-	10	-	7500	-	620	625	630	30

*1 Tolerance of measurements of chromaticity coordinate is ±10%

*2 Tolerance of measurements of dominant wavelength is ±1nm

*3 Tolerance of measurements of luminous intensity is ±15%

*4 Tolerance of measurements of forward voltage is ±0.1V

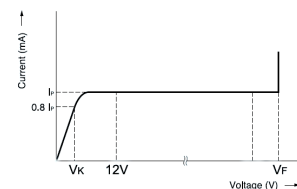
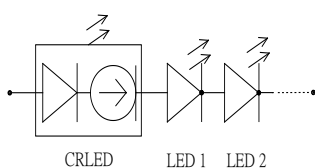
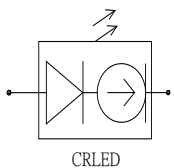
■ Applications

- Electronic Signs And Signals/ Small Area Illuminations
- Back Lighting/ Toys/ Other Lighting

■ Typical Applications

1: Single LED

2: Multi- LEDs in series



Explanation of terms
I_p Pinch-off current at 12V
V_k Voltage which produces 0.8I_p or greater current
V_F Breakdown voltage